



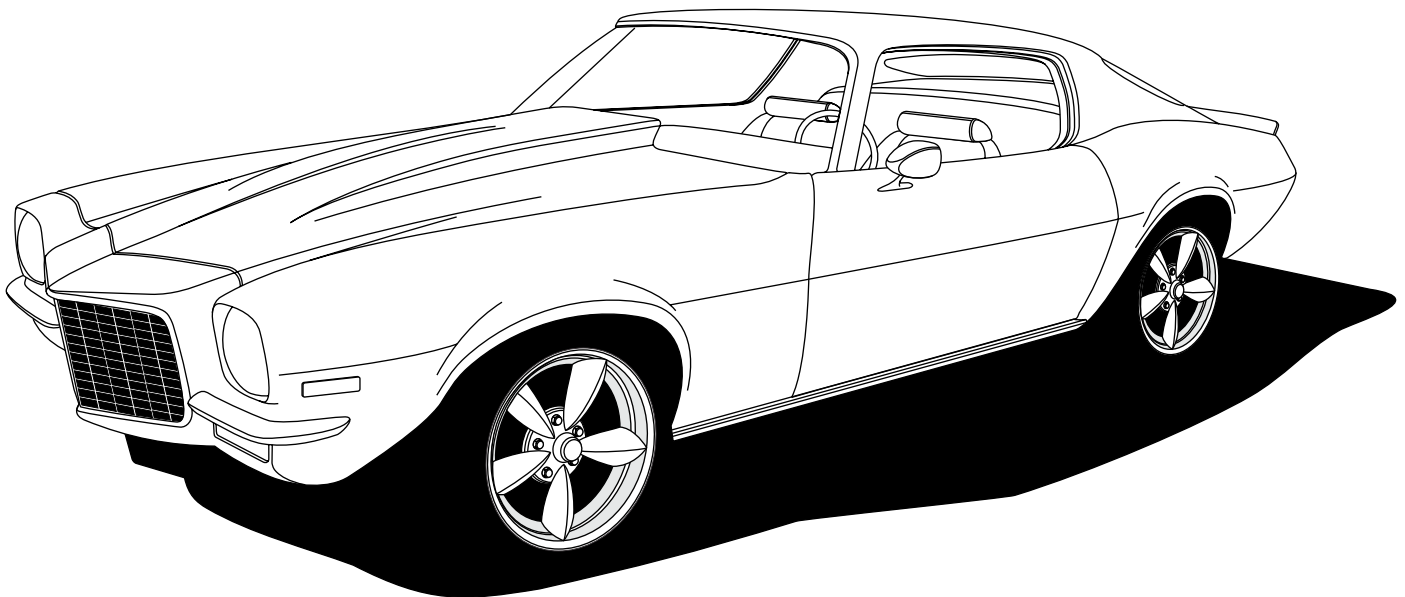
an ISO 9001:2008 Registered Company

## **1970-73 Camaro**

*with & without Factory Air*

**Condenser Kit with Drier**

**021071**



18865 Goll St. San Antonio, TX 78266 ph: 210-654-7171 fax: 210-654-3113



# Table of Contents

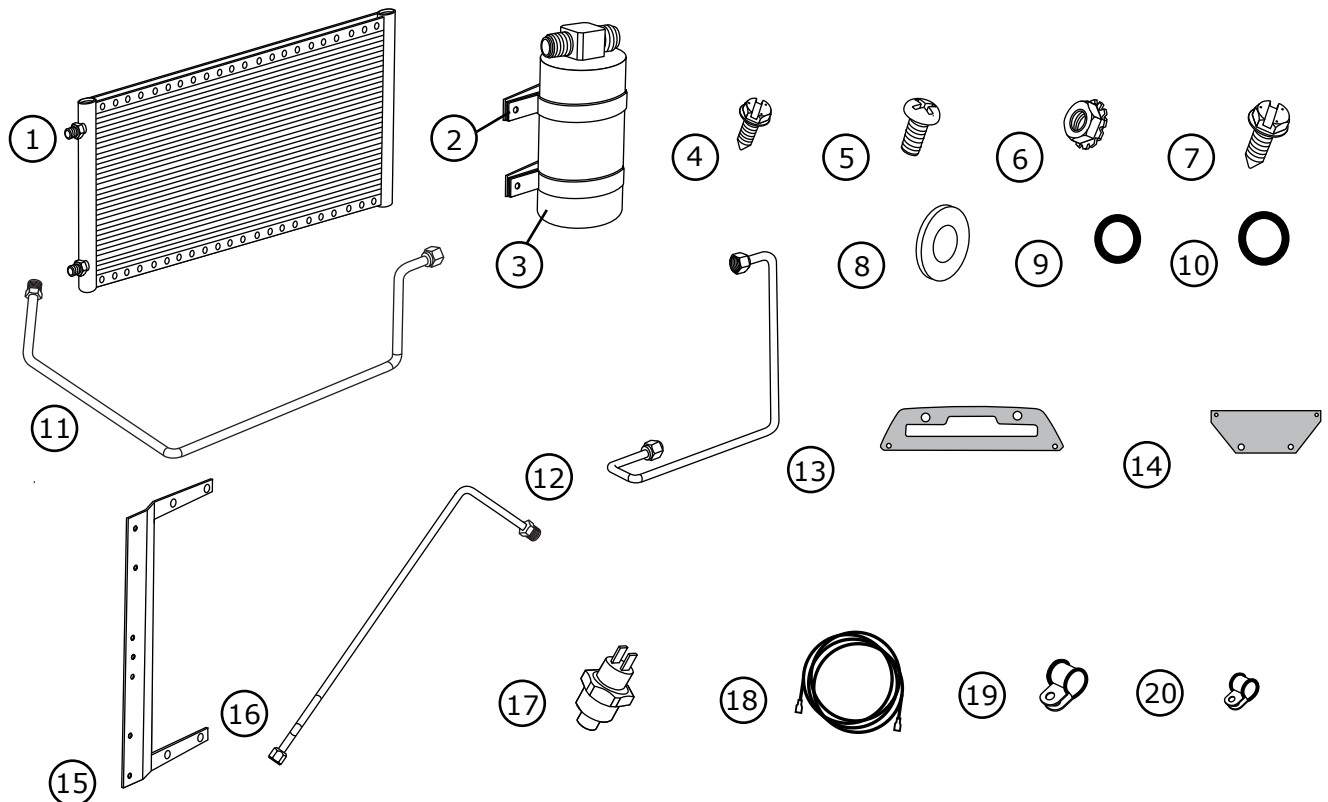
- 1. Cover**
- 2. Table of Contents**
- 3. Packing List/Parts Disclaimer**
- 4. Condenser Assembly & Drier Bracket Installation**  
*Figure 1*
- 5. Mounting Bracket & Drier Installation**  
*Figures 2 & 3*
- 6. Hardline Installation & Hood Latch Assembly**  
*Figures 4,4a & 5*
- 7. Radiator Removal & Condenser Installation**  
*Figures 6 & 7*
- 8. Reinstalling Hood Latch & Hardline Installation (Cont.)**  
*Figures 8 & 9*
- 9. Binary Switch Installation**  
*Figure 10*
- 10. Packing List**



## Packing List: 1970-73 Camaro with & without A/C Condenser Kit with Drier (021071)

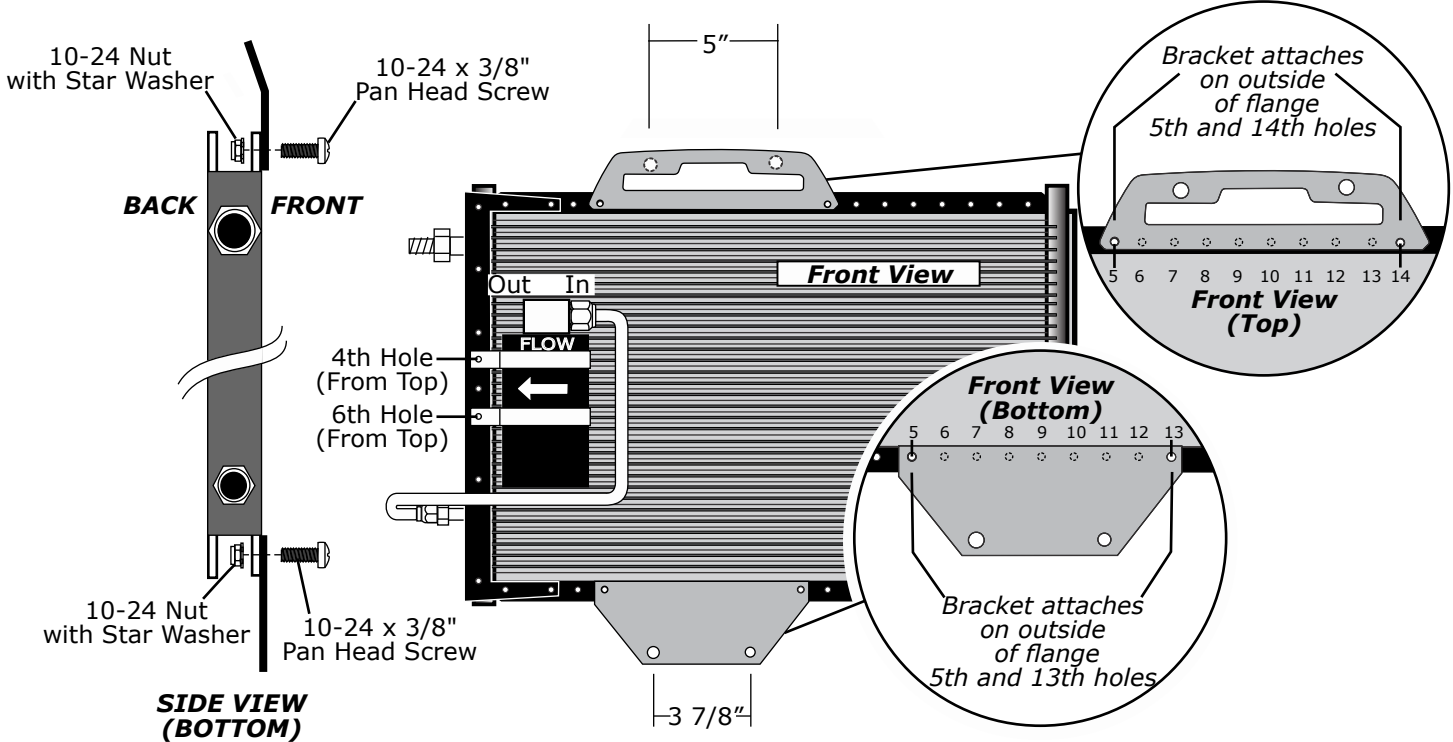
No.	Qty.	Part No.	Description
1.	1	03766-VUC	14" x 22" Parallel Flow Condenser
2.	2	07113-VUB	Drier Clamp
3.	1	07321-VUC	Drier
4.	2	18247-VUB	#10 x 1/2" Sheet Metal Screw
5.	9	18249-VUB	10-24 x 3/8" Pan Head Screw
6.	9	18260-VUB	10-24 Nut with Star Washer
7.	1	18266-VUB	#14 x 3/4" Sheet Metal Screw
8.	2	18611-VUB	5/16" Flat Washer
9.	3	33857-VUF	#6 O-ring
10.	1	33858-VUF	#8 O-ring
11.	1	091074-PFD	Hardline 70-73 Camaro #8 Condenser/Compressor
12.	1	35368-VCG	Hardline #6 Drier/Condenser
13.	1	644070-FCB	Bracket 1970-73 Camaro Condenser Top
14.	1	644071-FCB	Bracket 1970-73 Camaro Condenser Bottom
15.	1	65998-VUB	Universal Drier Bracket 14-3/4"
16.	1	092074	Hardline 1970-73 Camaro #6 Drier/Core
17.	1	11079-VUS	Male Binary Switch
18.	1	23127-VUW	72" Compressor Lead
19.	1	31603-VUD	#4 Adel Clamp
20.	1	31600-VUD	#2 Adel Clamp

**\*\* Before beginning installation, open all packages and check contents of shipment. Please report any shortages directly to Vintage Air within 15 days. After 15 days, Vintage Air will not be responsible for missing or damaged items.**





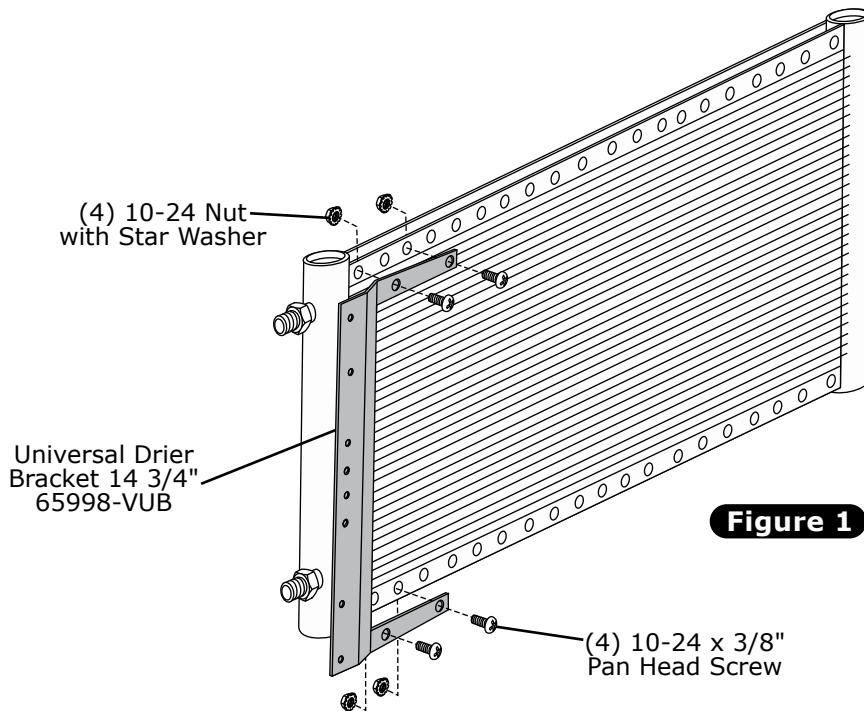
# Condenser Assembly



## Drier Bracket Installation

1. Install drier mounting bracket on to condenser using (4) 10-24 x 3/8" pan head screws and (4) 10-24 nuts with star washers as shown in Figure 1, below.

**NOTE:** Brackets mount through the first and third holes in the condenser.



**Figure 1**



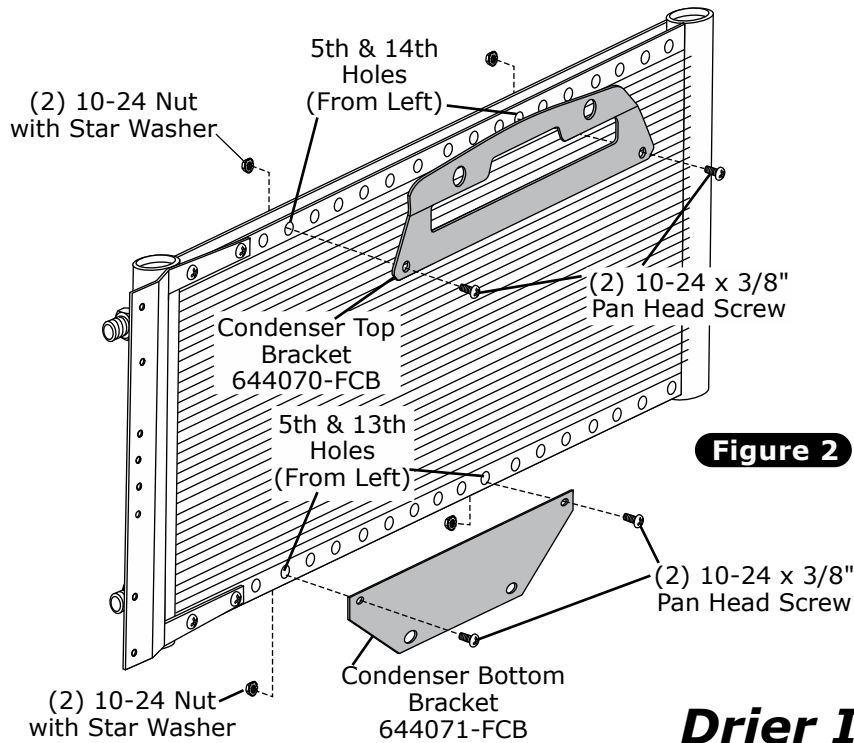
## Mounting Bracket Installation

1. Install top mounting bracket onto condenser using (2) 10-24 x 3/8" pan head screws and (2) 10-24 nuts with star washers as shown in Figure 2, below.

**NOTE: Bracket mounts through the 5th & 14th holes from the left side of the condenser.**

2. Install bottom mounting bracket onto condenser using (2) 10-24 x 3/8" pan head screws and (2) 10-24 nuts with star washers as shown in Figure 2, below.

**NOTE: Bracket mounts through the 5th and 13th holes from the left side of the condenser.**

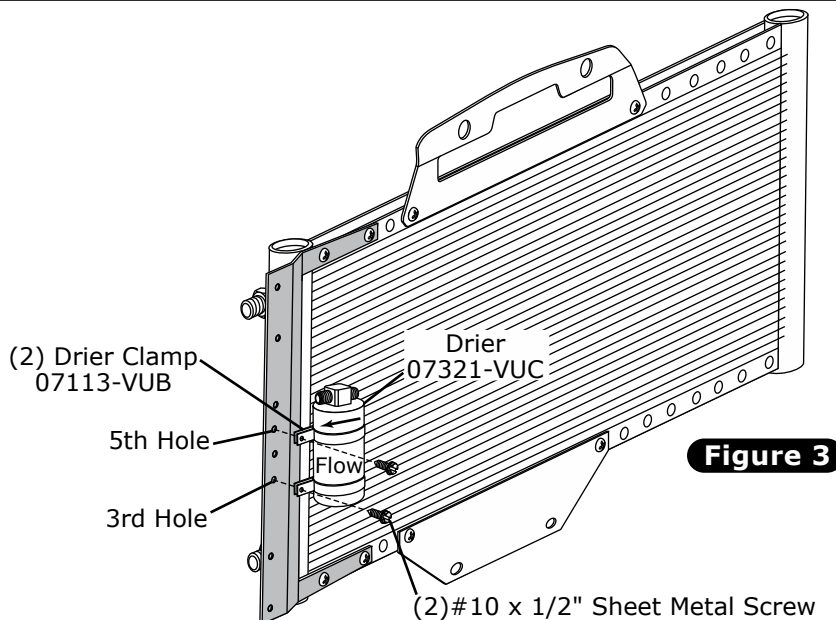


**Figure 2**

## Drier Installation

1. Install clamps onto drier, then install drier onto bracket using (2) #10 x 1/2" sheet metal screws as shown in Figure 3, below.

**NOTE: Drier installs through the 3rd and 5th holes from the bottom of bracket.**

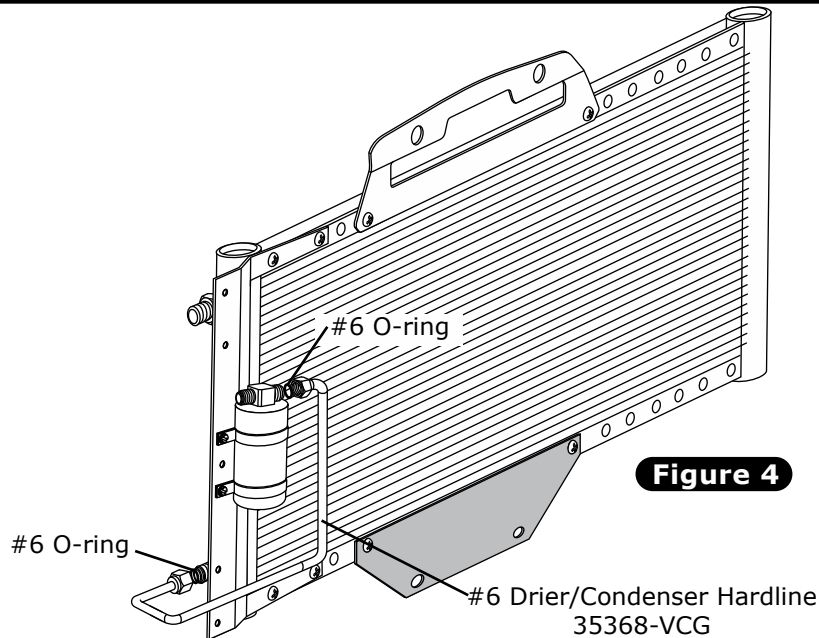


**Figure 3**



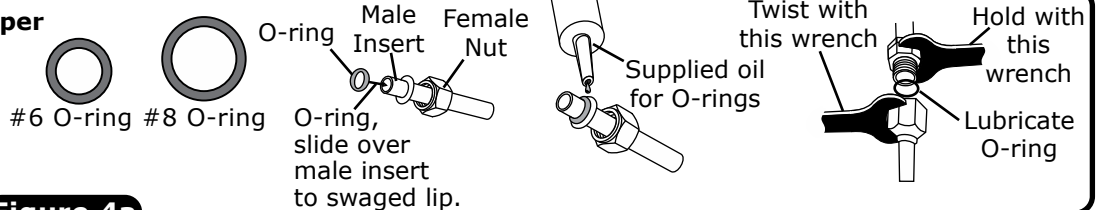
## Hardline Installation

1. Lubricate (2) #6 O-rings (See Figure 4a, below) and install the #6 drier/condenser hardline as shown in Figure 4, below.
2. Tighten fittings as shown in Figure 4a, below.



**Figure 4**

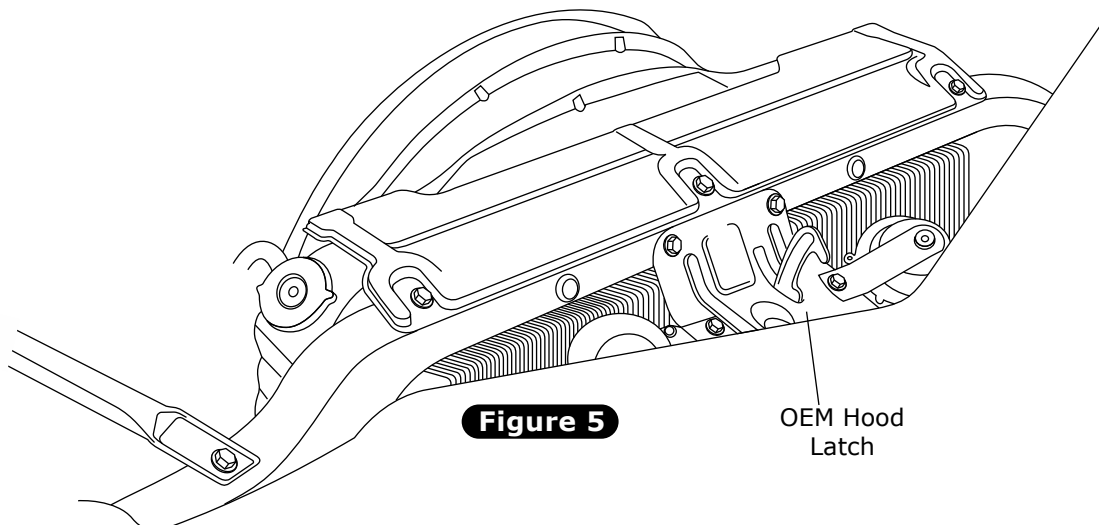
**NOTE: For a proper seal of fittings, install O-rings as shown and lubricate with supplied oil.**



**Figure 4a**

## Hood Latch Assembly

1. Remove OEM hood latch assembly (See Figure 5, below).



**Figure 5**



## Radiator Removal

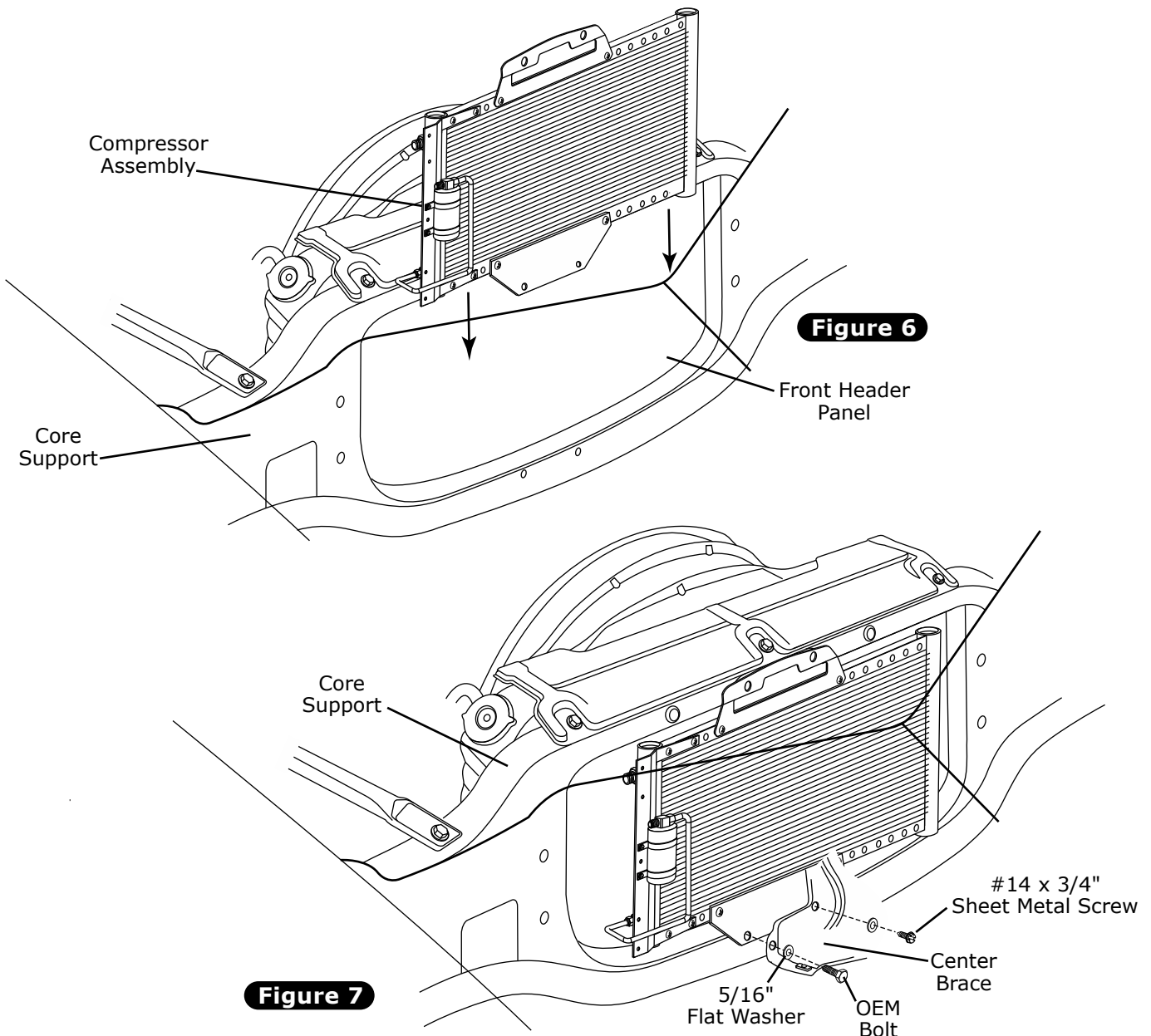
1. Drain and remove radiator.

## Condenser Installation

1. Lower condenser assembly between the front side of the core support and the front header as shown in Figure 6, below.

**NOTE: The top mounting bracket goes on the front side of the core support.**

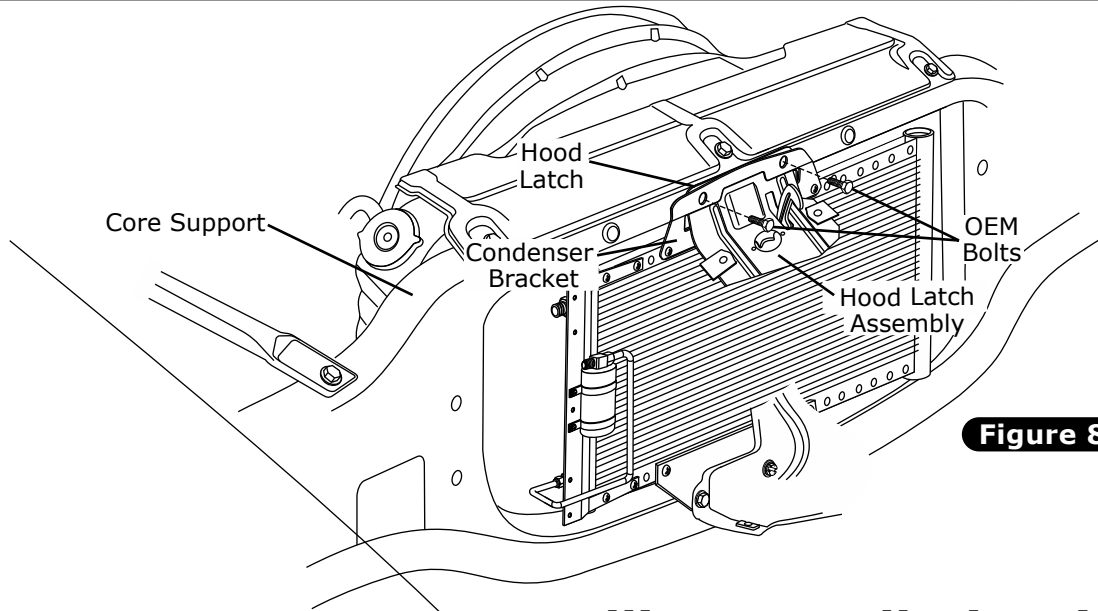
2. Secure the bottom passenger side of the condenser to the core support using a 5/16" flat washer and OEM bolt as shown in Figure 7, below.
3. Use driver side mounting hole as a guide and drill a 3/16" hole on core support. Secure condenser to core support using a 5/16" flat washer and a #14 x 3/4" sheet metal screw as shown in Figure 7, below.





## Reinstalling Hood Latch

1. Install OEM bolts through the condenser bracket, hood latch assembly and core support as shown in Figure 8, below.

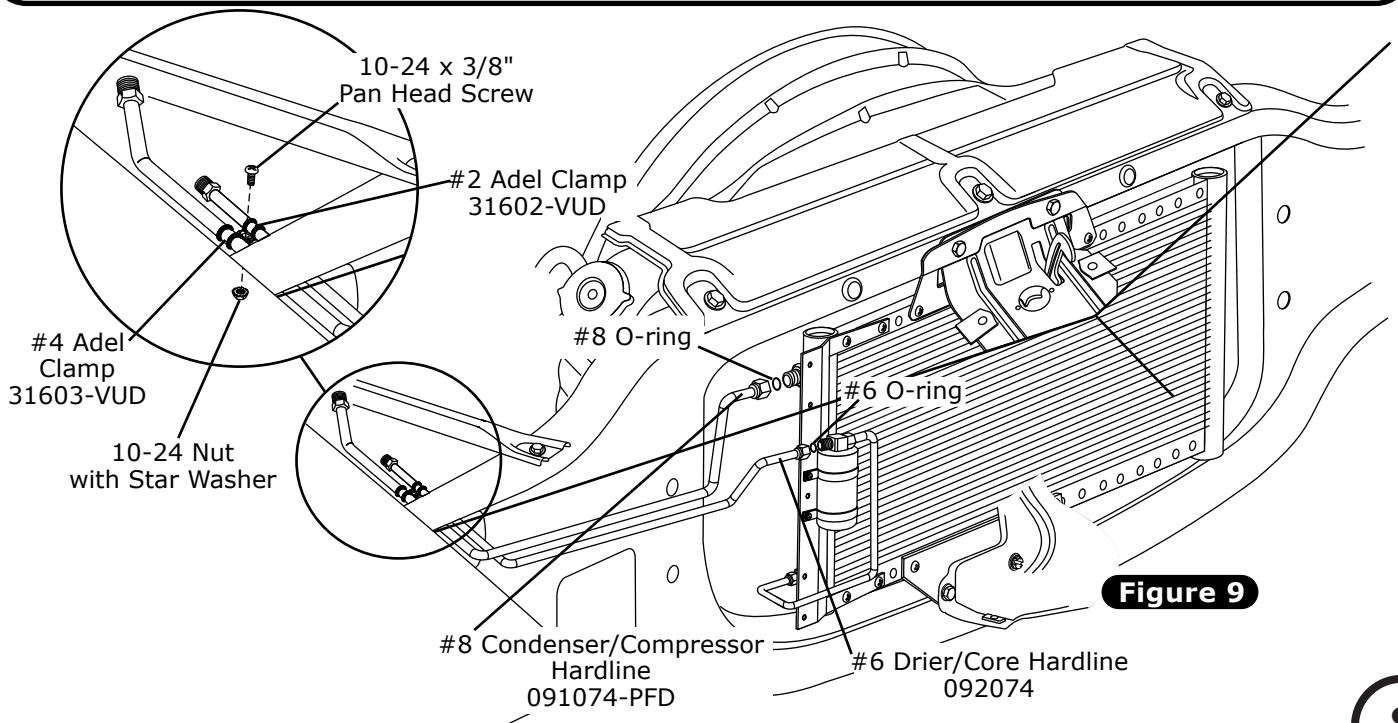


**Figure 8**

## Hardline Installation (Cont.)

**NOTE: To install passenger side #6 and #8 hardline, you must remove passenger side headlight.**

1. Lubricate a #6 and #8 o-ring (See Figure 4a, Page 6). Install the #6 drier/core hardline and the #8 condenser/compressor hardline as shown in Figure 9, below. Tighten fittings as shown in Figure 4a, Page 6.
2. Install a #4 adel clamp on #8 hardline and a #2 adel clamp on #6 hardline as shown in Figure 9, below.
3. Using a 10-24 x 3/8" pan head screw and a 10-24 nut with star washer, secure the adel clamps together as shown in Figure 9, below.



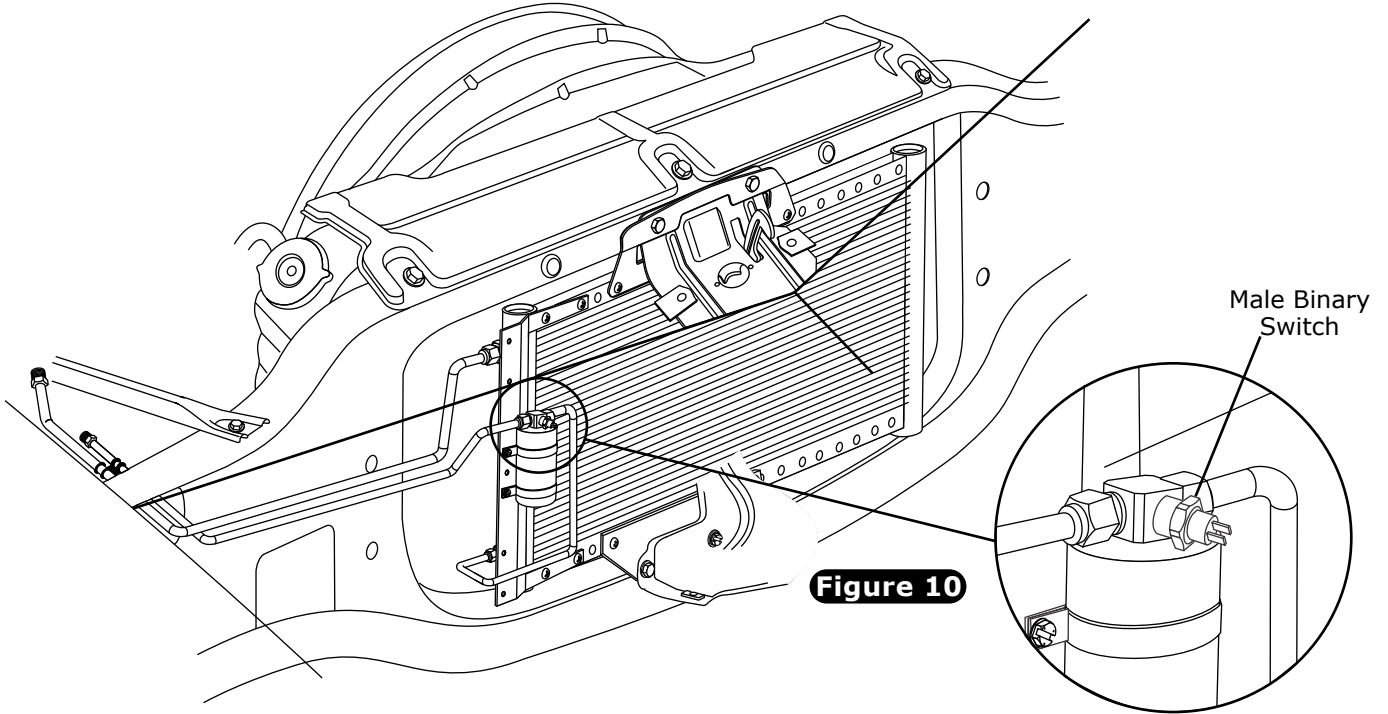
**Figure 9**





## Binary Switch Installation

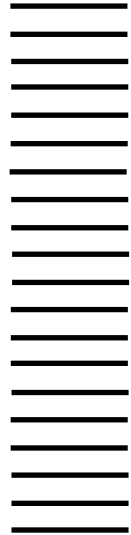
1. Install male binary switch as shown in Figure 10, below.





## Packing List: 1970-73 Camaro with & without A/C Condenser Kit with Drier (021071)

No.	Qty.	Part No.	Description
1.	1	03766-VUC	14" x 22" Parallel Flow Condenser
2.	2	07113-VUB	Drier Clamp
3.	1	07321-VUC	Drier
4.	2	18247-VUB	#10 x 1/2" Sheet Metal Screw
5.	9	18249-VUB	10-24 x 3/8" Pan Head Screw
6.	9	18260-VUB	10-24 Nut with Star Washer
7.	1	18266-VUB	#14 x 3/4" Sheet Metal Screw
8.	2	18611-VUB	5/16" Flat Washer
9.	3	33857-VUF	#6 O-ring
10.	1	33858-VUF	#8 O-ring
11.	1	091074-PFD	Hardline 70-73 Camaro #8 Condenser/Compressor
12.	1	35368-VCG	Hardline #6 Drier/Condenser
13.	1	644070-FCB	Bracket 1970-73 Camaro Condenser Top
14.	1	644071-FCB	Bracket 1970-73 Camaro Condenser Bottom
15.	1	65998-VUB	Universal Drier Bracket 14-3/4"
16.	1	092074	Hardline 1970-73 Camaro #6 Drier/Core
17.	1	11079-VUS	Male Binary Switch
18.	1	23127-VUW	72" Compressor Lead
19.	1	31603-VUD	#4 Adel Clamp
20.	1	31600-VUD	#2 Adel Clamp



Checked By: \_\_\_\_\_  
Packed By: \_\_\_\_\_  
Date: \_\_\_\_\_

