

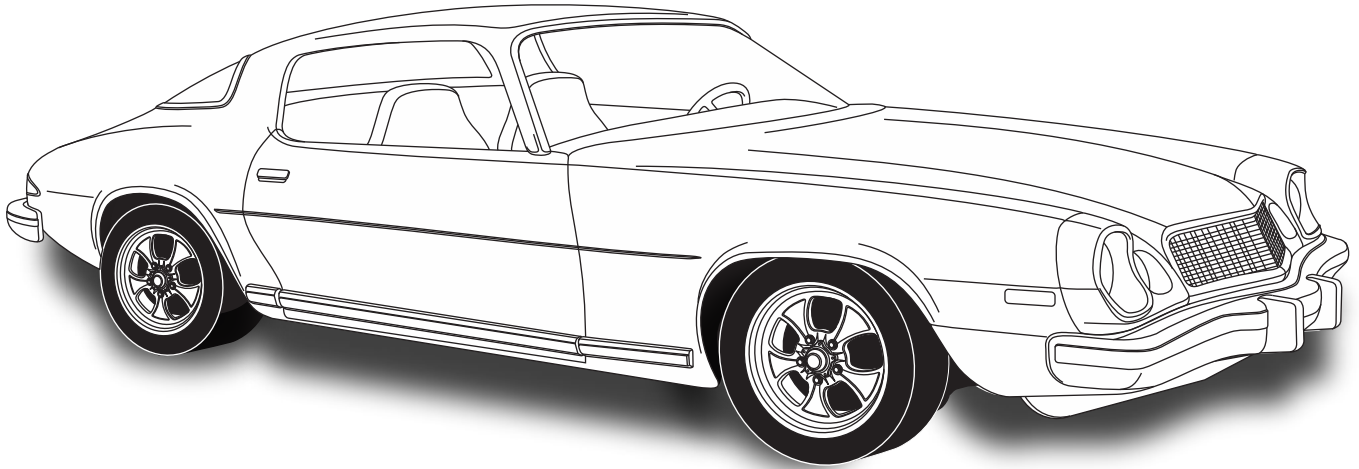


an ISO 9001:2008 Registered Company

1974-77 Camaro

with & without **Factory Air**
Condenser Kit *with* **Drier**

021177



18865 Goll St. San Antonio, TX 78266 ph: 210-654-7171 fax: 210-654-3113

901194 REV A 4/19/12, INST 1974-77 CAMARO w/ & wo A/C CONDENSER KIT w/ DRIER PG 1 OF 12



Table of Contents

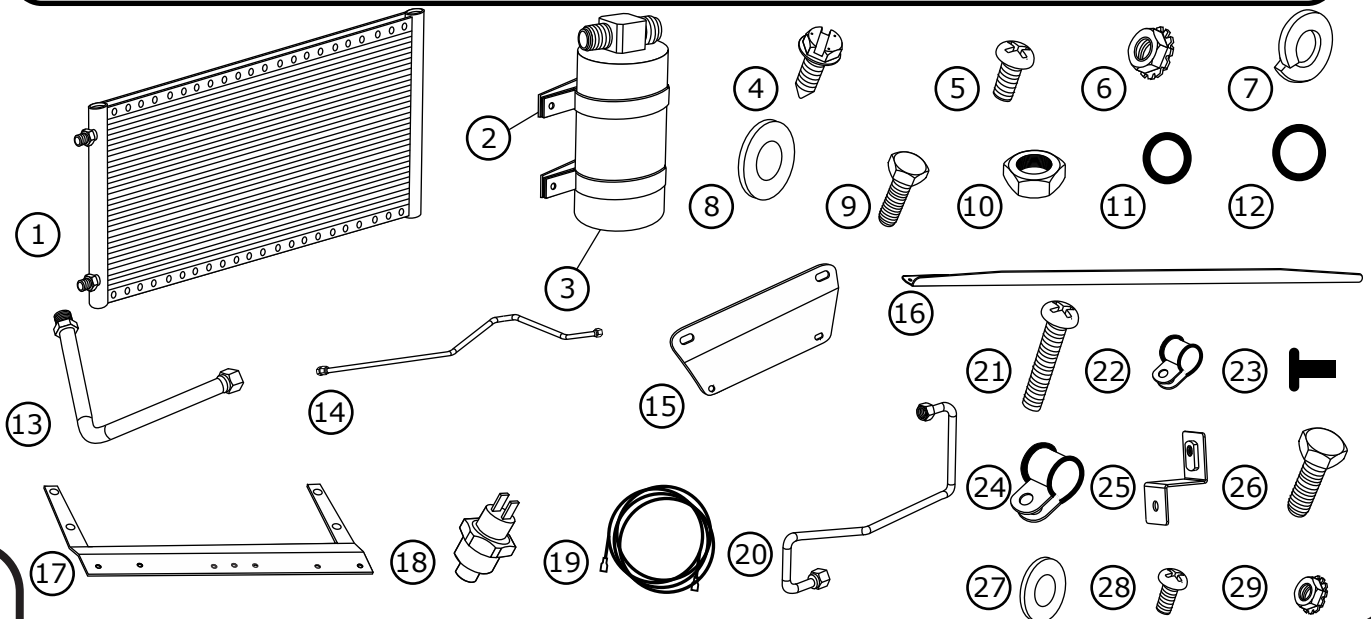
- 1. Cover**
- 2. Table of Contents**
- 3. Packing List/Parts Disclaimer**
- 4. Condenser & Drier Bracket Installation**
Figure 1
- 5. Top Condenser Bracket Installation & Drier Installation**
Figures 2 & 3
- 6. Hardline Installation & Bottom Bracket Installation**
Figures 4, 4a & 5
- 7. Hood Latch Assembly, Radiator Removal & Condenser Installation**
Figures 6, 7 & 8
- 8. Condenser Installation (Cont.)**
Figures 9 & 10
- 9. Hardline Installation (Cont.)**
Figures 11 & 12
- 10. Binary Switch & Hardline Mounting Installation**
Figures 13 & 14
- 11. Hardline Mounting (Cont.) & Reinstalling Fan Shroud, Radiator & Radiator Core Support Cover**
Figures 15 & 16
- 12. Packing List**



Packing List: 1974-77 Camaro with & without A/C Condenser Kit with Drier (021177)

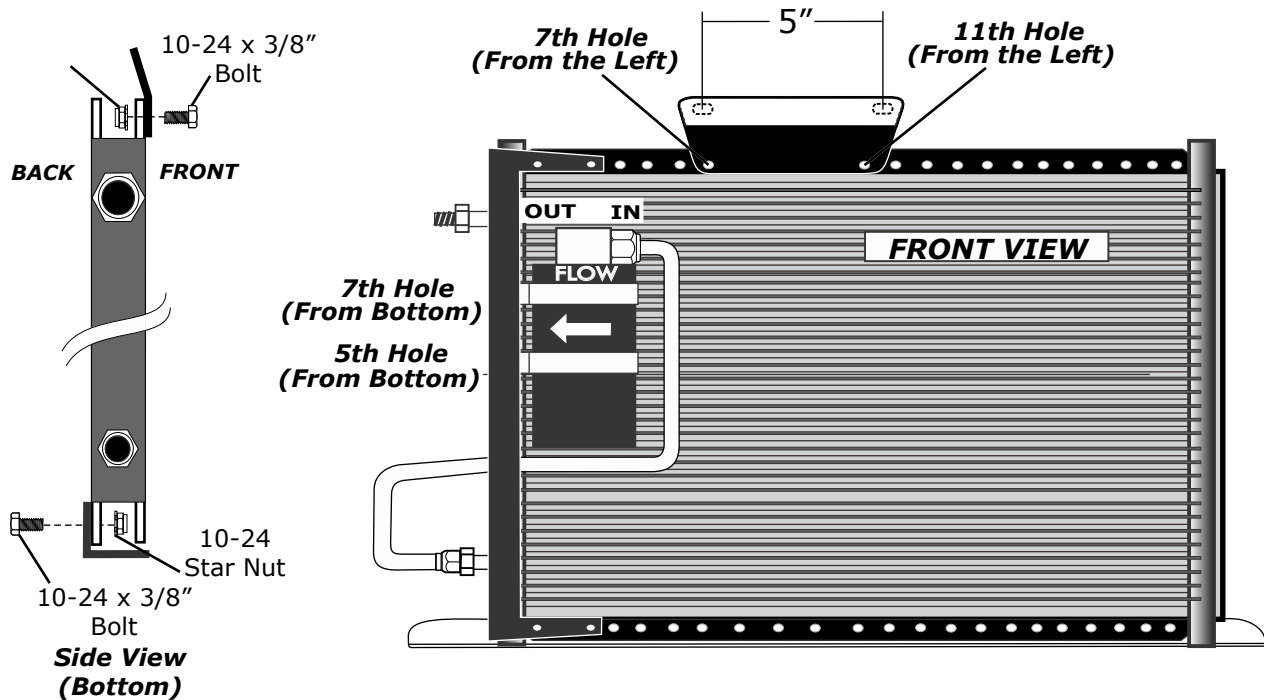
No.	Qty.	Part No.	Description
1.	1	03767-VUC	14" x 24" Parallel Flow Condenser
2.	2	07113-VUB	Drier Clamp
3.	1	07321-VUC	Drier
4.	2	18247-VUB	#10 x 1/2" Sheet Metal Screw
5.	8	18249-VUB	10-24 x 3/8" Pan Head
6.	8	18260-VUB	10-24 Nut with Star Washer
7.	4	18610-VUB	5/16" Lock Washer
8.	4	18611-VUB	5/16" Flat Washer
9.	4	183009-DSR	5/16-18" x 1 1/4" Coarse Bolt
10.	4	18148-VUB	5/16" Hex Nut
11.	3	33857-VUF	#6 O-ring
12.	1	33858-VUF	#8 O-ring
13.	1	091680	74-81 Camaro #8 Condenser Hardline
14.	1	091681	74-77 Camaro #6 Drier/Core Hardline
15.	1	644074	Bracket 68-77 Camaro Condenser Top
16.	1	644075	Bracket 74-81 Camaro Condenser Bottom
17.	1	65998-VUB	Universal Drier Bracket 14-3/4"
18.	1	11079-VUS	Male Binary Switch
19.	1	23127-VUW	72" Compressor Lead
20.	1	091677	#6 Drier/Condenser Hardline
21.	1	18253-VUB	10-32 x 1" Phillips Truss Machine Screw
22.	2	31600-VUD	#2 Rubber Adel Clamp
23.	1	18101-VUB	10-32 Well Nut
24.	1	31603-VUD	#4 Rubber Adel Clamp
25.	1	644025	Bracket 74-81 Camaro Hardline Assembly
26.	1	18287-VUB	1/4-20 x 1/2" Hex Bolt
27.	1	18125-VUB	1/4" Flat Washer
28.	1	18250-VUB	10-32 x 1/2" Phillips Pan Machine Screw
29.	1	18251-VUB	10-32 Nut with Star Washer

**** Before beginning installation, open all packages and check contents of shipment. Please report any shortages directly to Vintage Air within 15 days. After 15 days, Vintage Air will not be responsible for missing or damaged items.**





Condenser Bracket Installation



Drier Mounting Bracket Installation

1. Install drier mounting bracket onto condenser using (4) 10-24 x 3/8" pan head screws and (4) 10-24 nuts with star washers (See Figure 1, below). **NOTE: Brackets mount through the first and third holes in the condenser.**

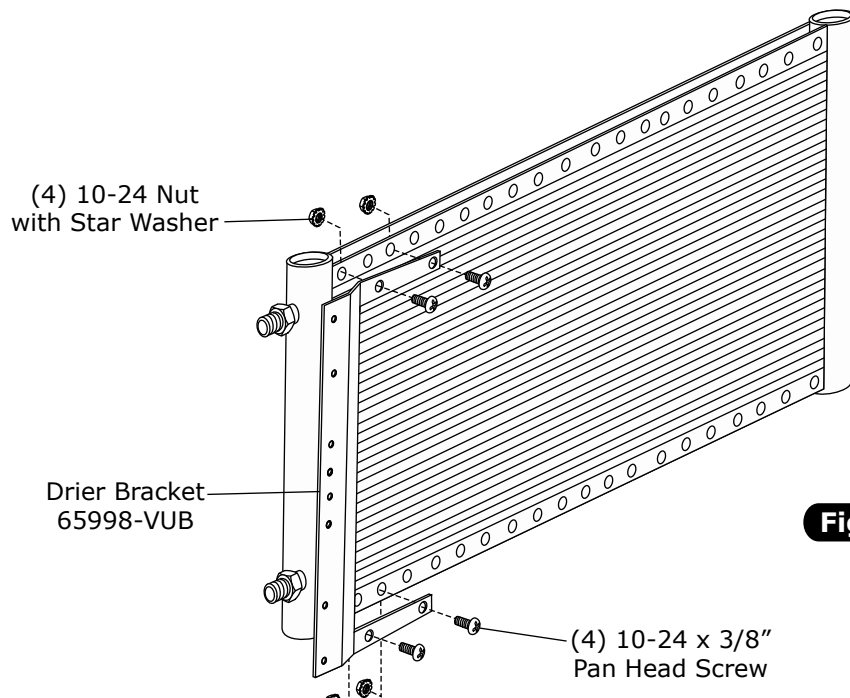
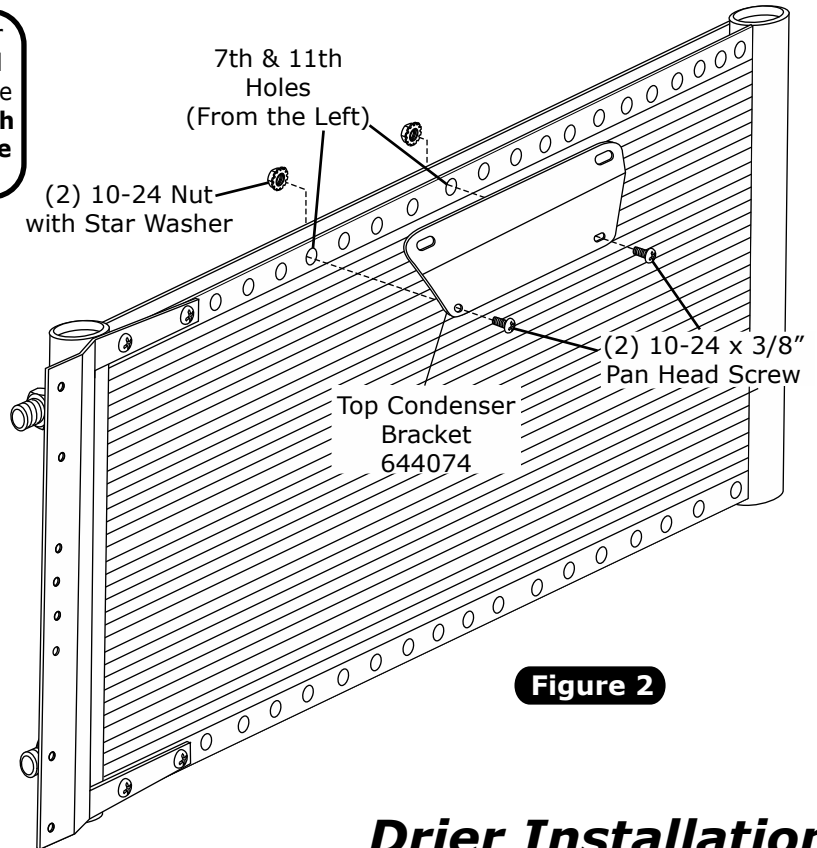


Figure 1



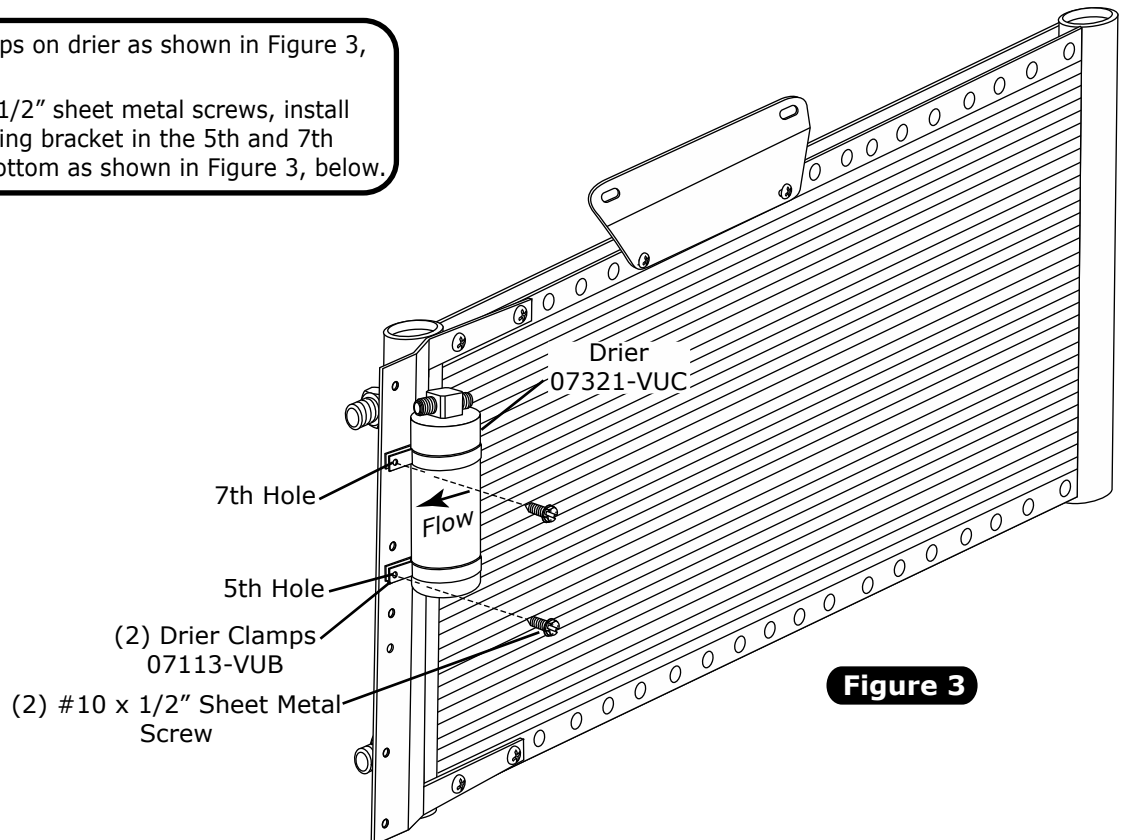
Top Mounting Bracket Installation

1. Install top mounting bracket onto condenser using (2) 10-24 x 3/8" pan head screws and (2) 10-24 nuts with star washers (See Figure 2, below). **NOTE: Bracket mounts through the 7th and 11th holes from the left side of the condenser.**



Drier Installation

1. Install drier clamps on drier as shown in Figure 3, below.
2. Using (2) #10 x 1/2" sheet metal screws, install drier onto mounting bracket in the 5th and 7th holes from the bottom as shown in Figure 3, below.





Hardline Installation

1. Lubricate (2) #6 O-rings (See Figure 4a, below) and install the #6 drier/condenser hardline as shown in Figure 4, below. Tighten fittings as shown in Figure 4a, below.

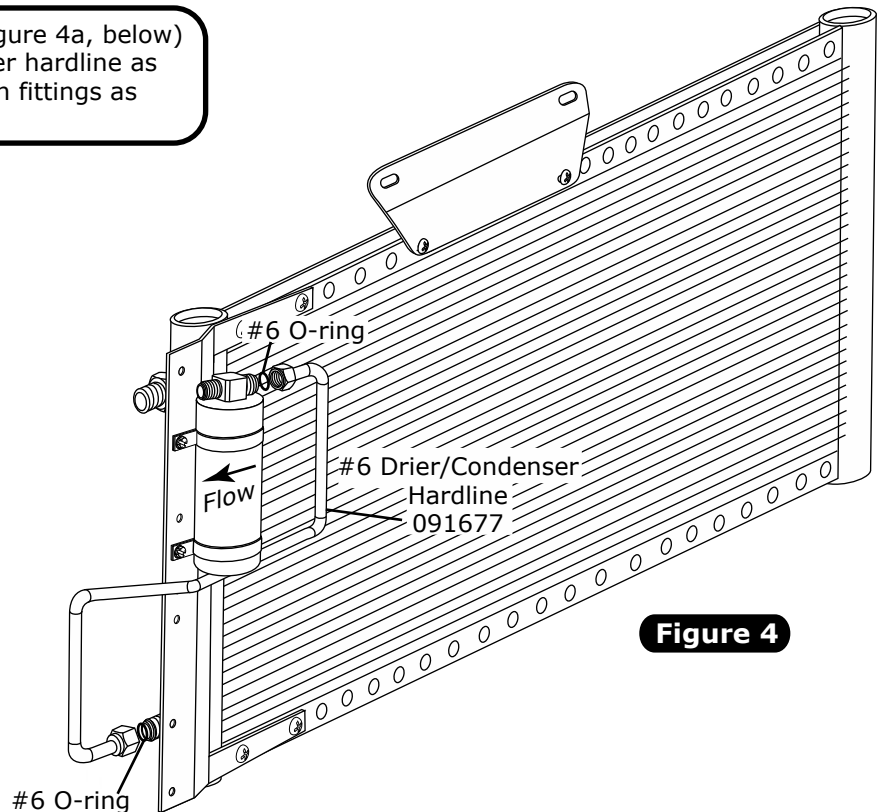


Figure 4

NOTE: For a proper seal of fittings, install supplied O-rings as shown and lubricate with supplied oil.

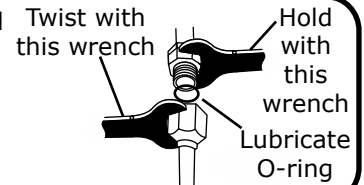
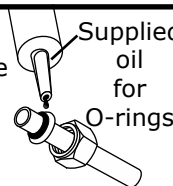
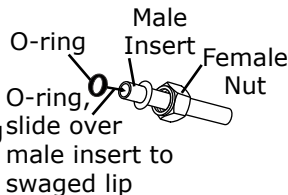


Figure 4a

Bottom Mounting Bracket Installation

1. Install bottom mounting bracket onto condenser using (2) 10-24 x 3/8" pan head screws and (2) 10-24 nuts with star washers (See Figure 5, below). **NOTE: Bracket mounts through the 5th hole from the left side of the condenser.**

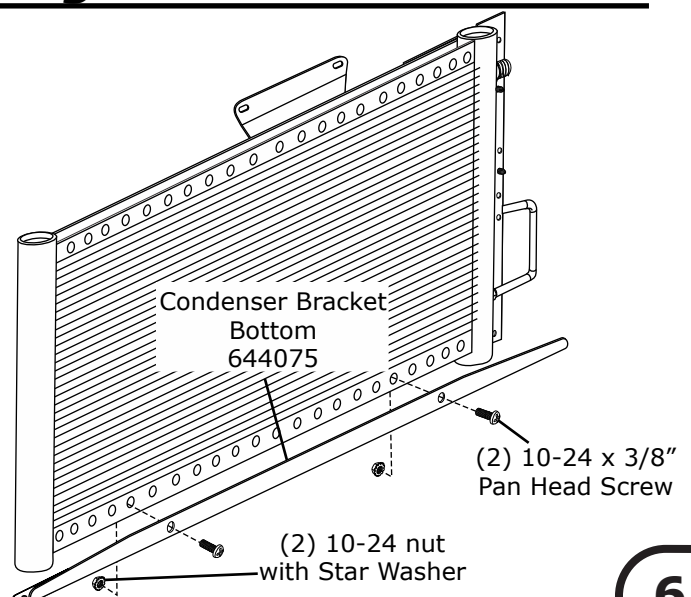


Figure 5



Hood Latch Assembly

1. Remove (2) OEM hood latch bolts from the hood latch assembly as shown in Figure 6, right.

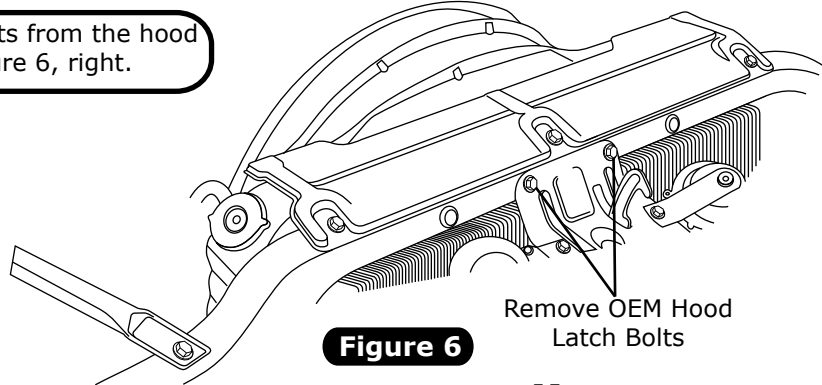


Figure 6

Radiator Removal

1. Drain radiator. Remove upper and lower radiator hoses.
2. Remove radiator and fan shroud as shown in Figure 7, right.

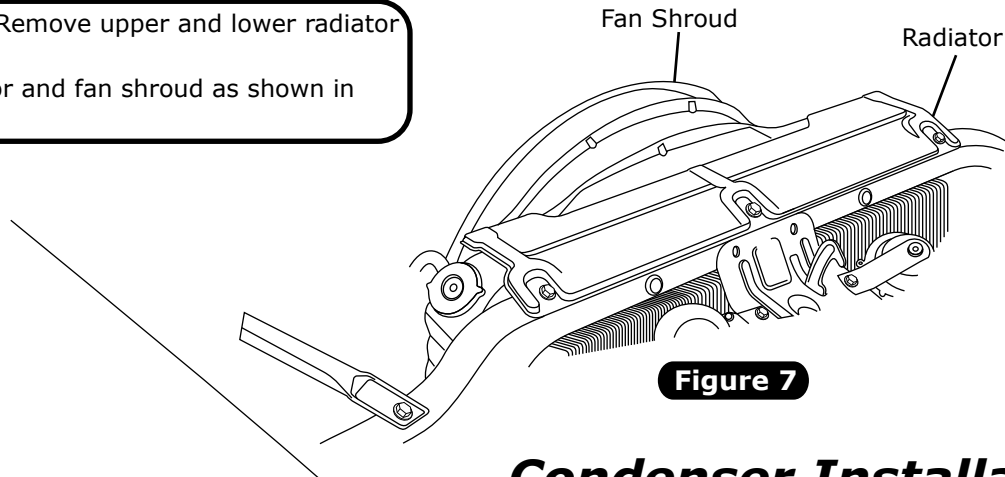


Figure 7

Condenser Installation

1. Lower condenser assembly on the back side of the core support as shown in Figure 8, below.

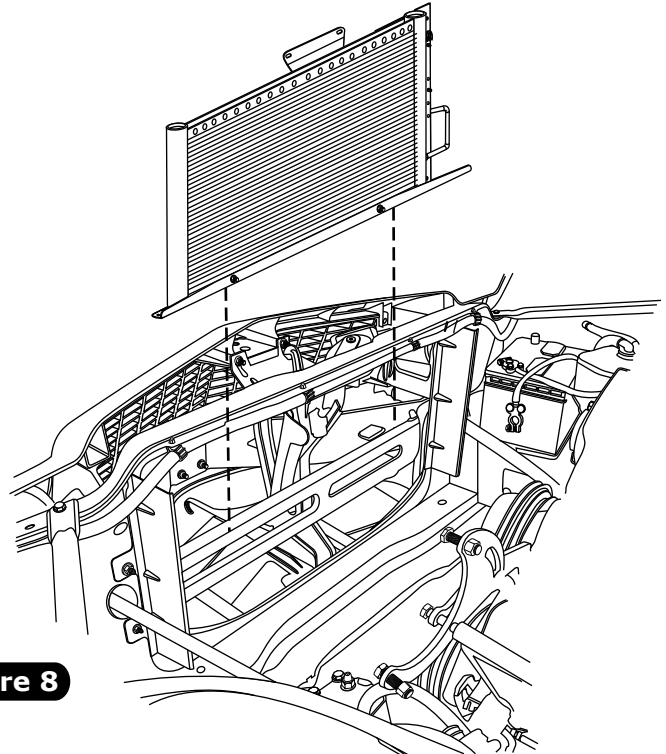
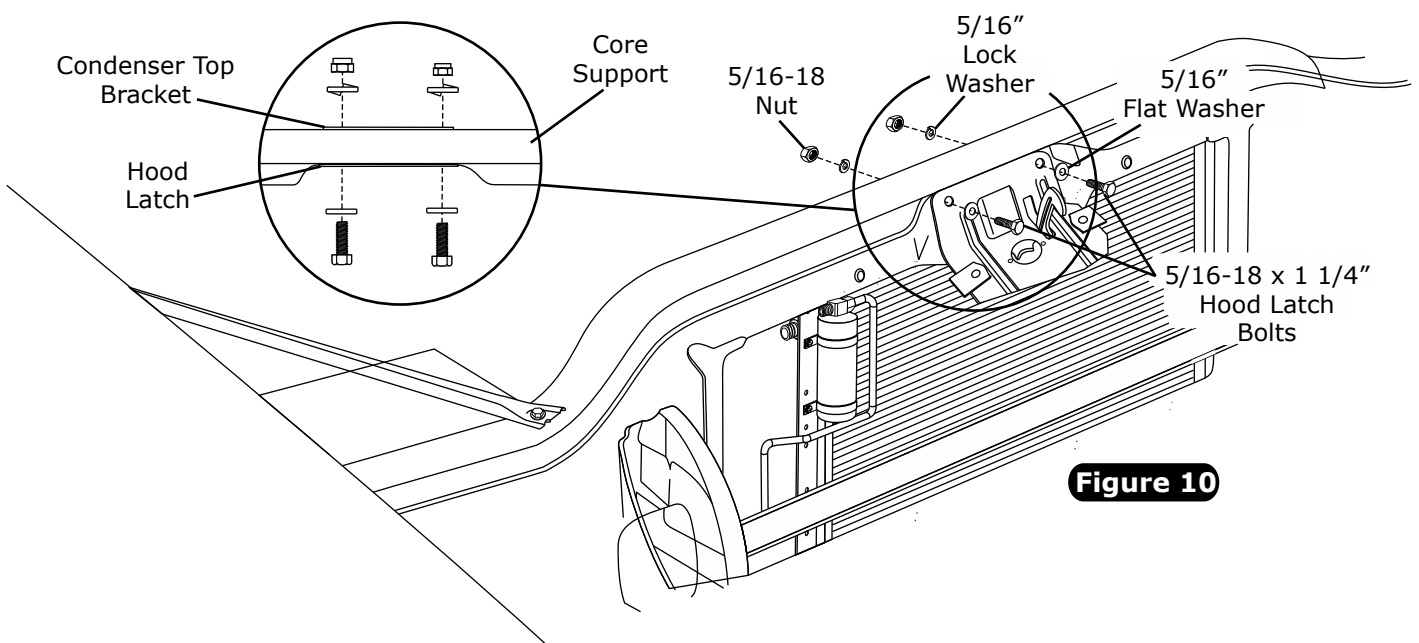
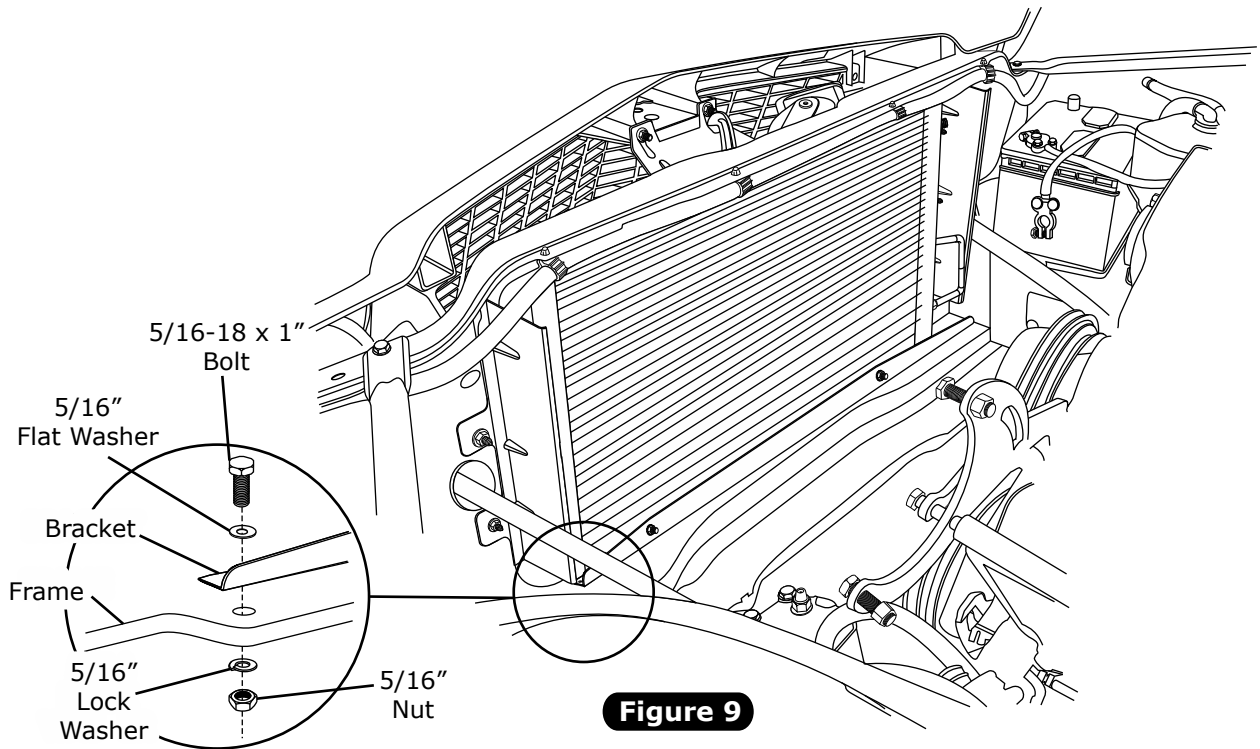


Figure 8



Condenser Installation (Cont.)

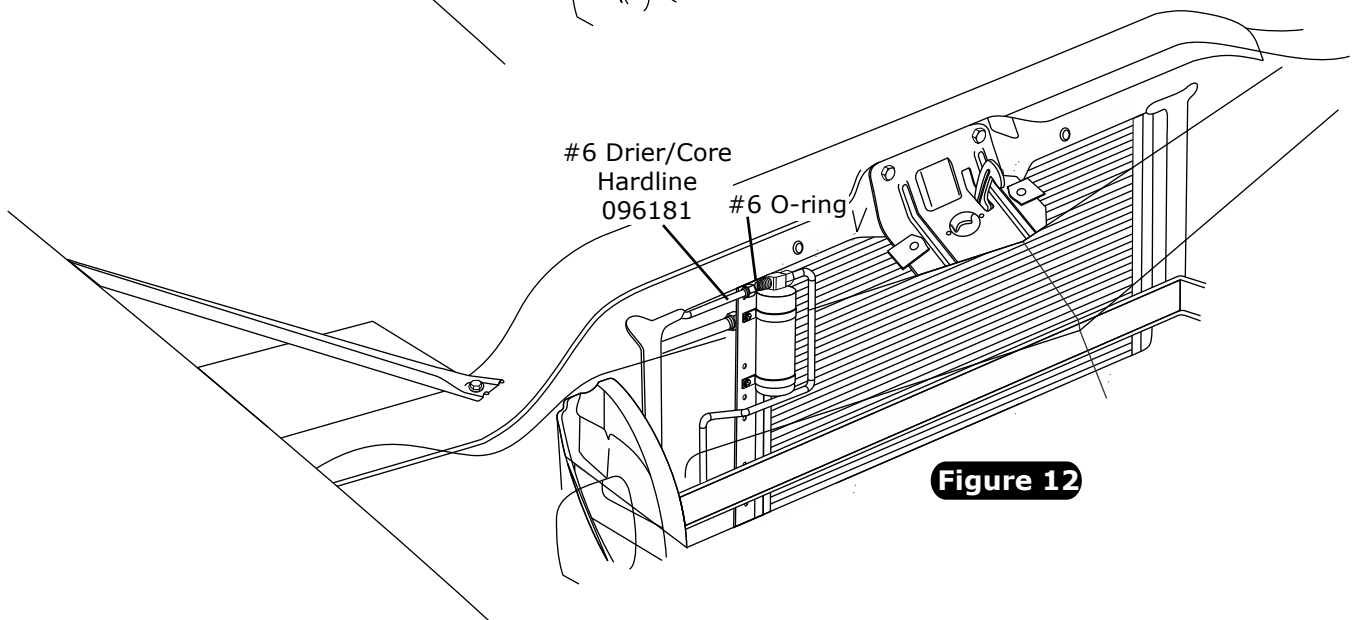
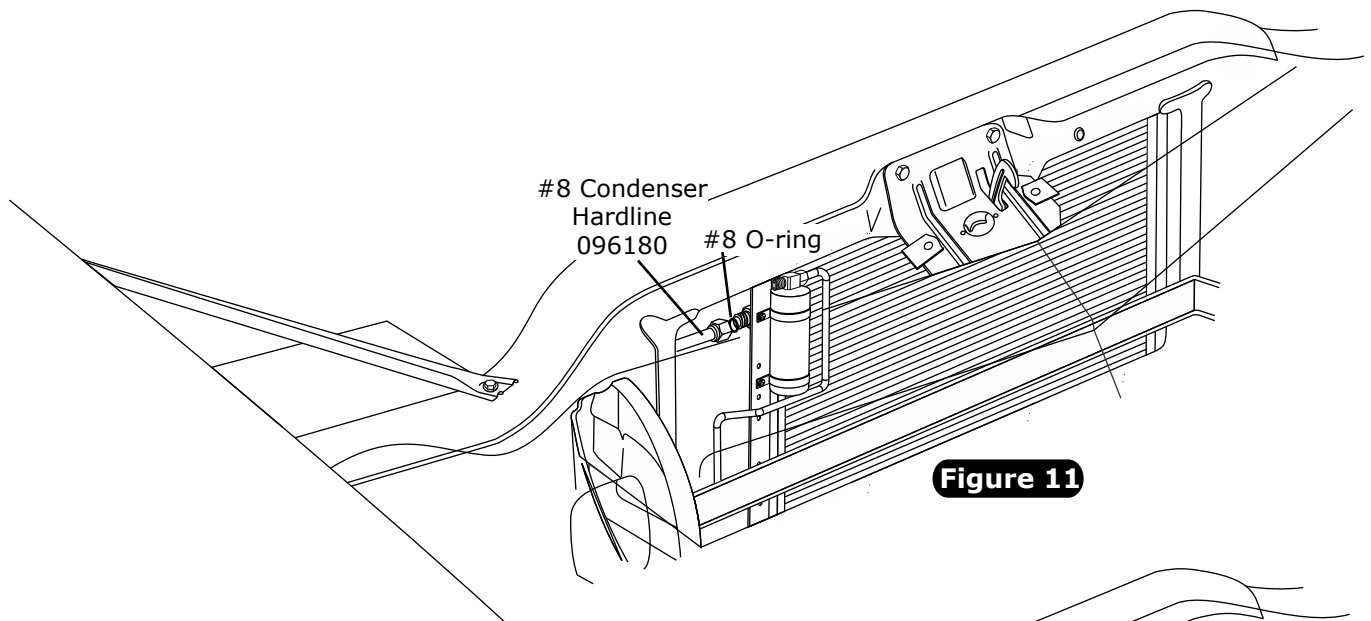
1. Secure the bottom condenser bracket to the core support using (2) 5/16-18 x 1 1/4" hex bolts, flat washers, lock washers, and 5/16 hex nuts. **NOTE: The top mounting bracket goes on the back side of the core support as shown in Figure 9, below.**
2. Secure the hood latch assembly to the top condenser bracket using (2) 5/16-18 x 1 1/4" hex bolts, flat washers, lock washers, and 5/16-18 nuts as shown in Figure 10, below.





Hardline Installation (Cont.)

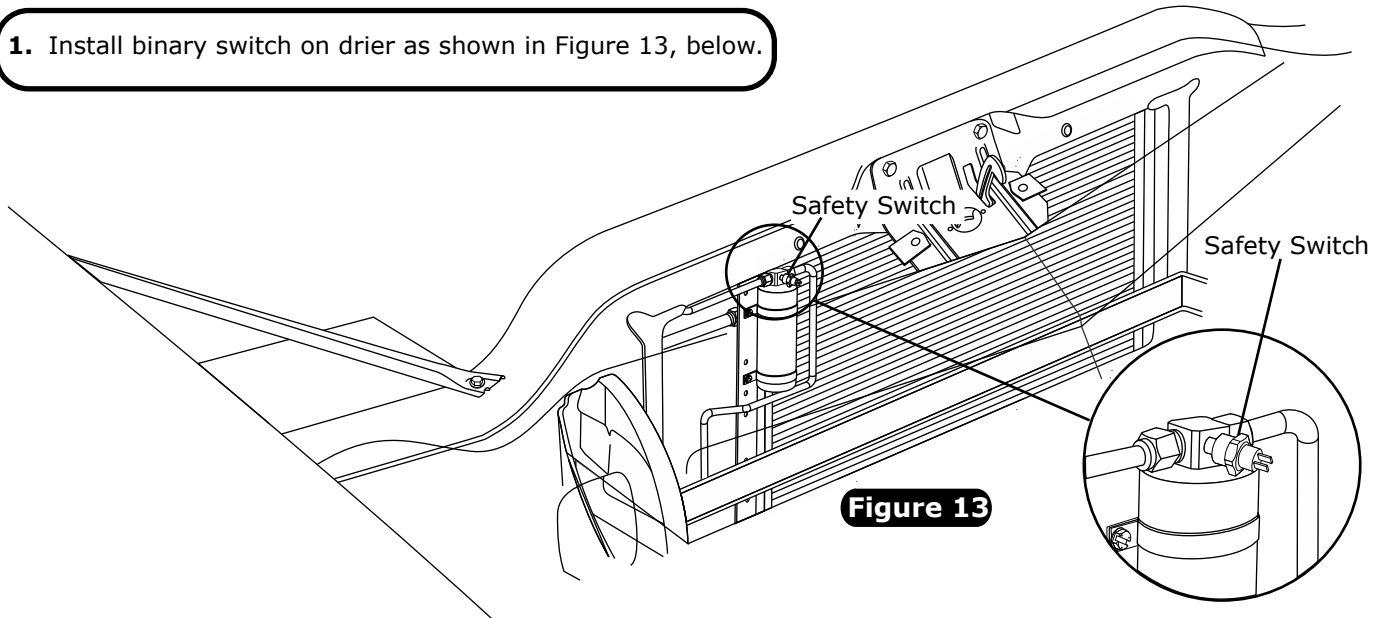
1. Lubricate a #8 O-ring (See Figure 4a, Page 6) and install the #8 condenser hardline as shown in Figure 11, below. Tighten fittings as shown in Figure 4a, Page 6.
2. Lubricate a #6 O-ring (See Figure 4a, Page 6) and install the #6 drier/core hardline as shown in Figure 12, below. Tighten fittings as shown in Figure 4a, Page 6.





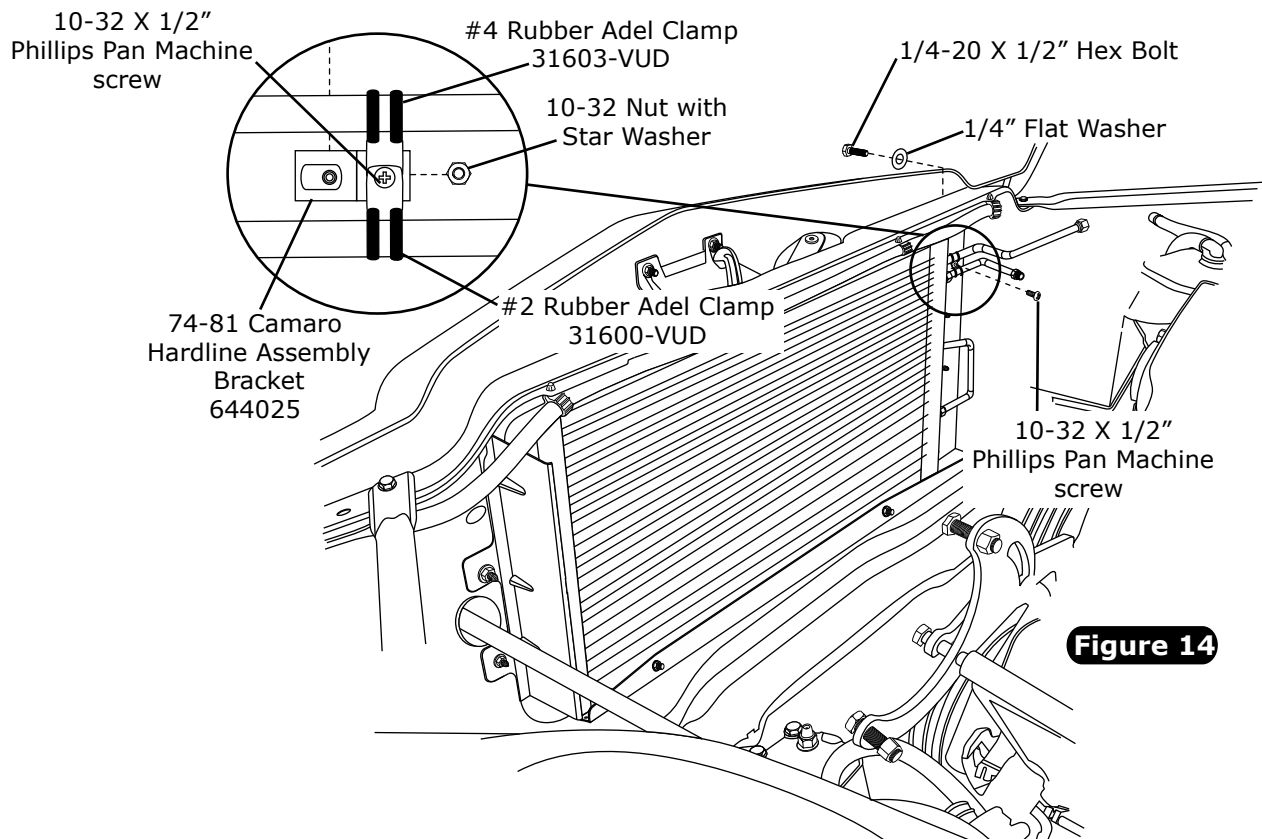
Binary Switch Installation

1. Install binary switch on drier as shown in Figure 13, below.



Hardline Mounting Installation

1. Attach hardline assembly bracket using OEM hole on core support with 1/4-20 x 1/2" bolt and 1/4" flat washer through weld nut on bracket. Install adel clamps with 10-32 x 1/2" Phillips pan machine screw and 10-32 nut with star washer as seen in Figure 14, below.





Hardline Mounting Installation (Cont.)

1. Locate 1/4" OEM hole used for the wire loom above the hole used for the ground wire near the back of headlight and enlarge hole to 3/8". Install 10-32 well nut, #2 rubber adel clamp and 10-32 x 1" Phillips truss machine screw into hole to secure #6 drier/core hardline as shown in Figure 15, below.

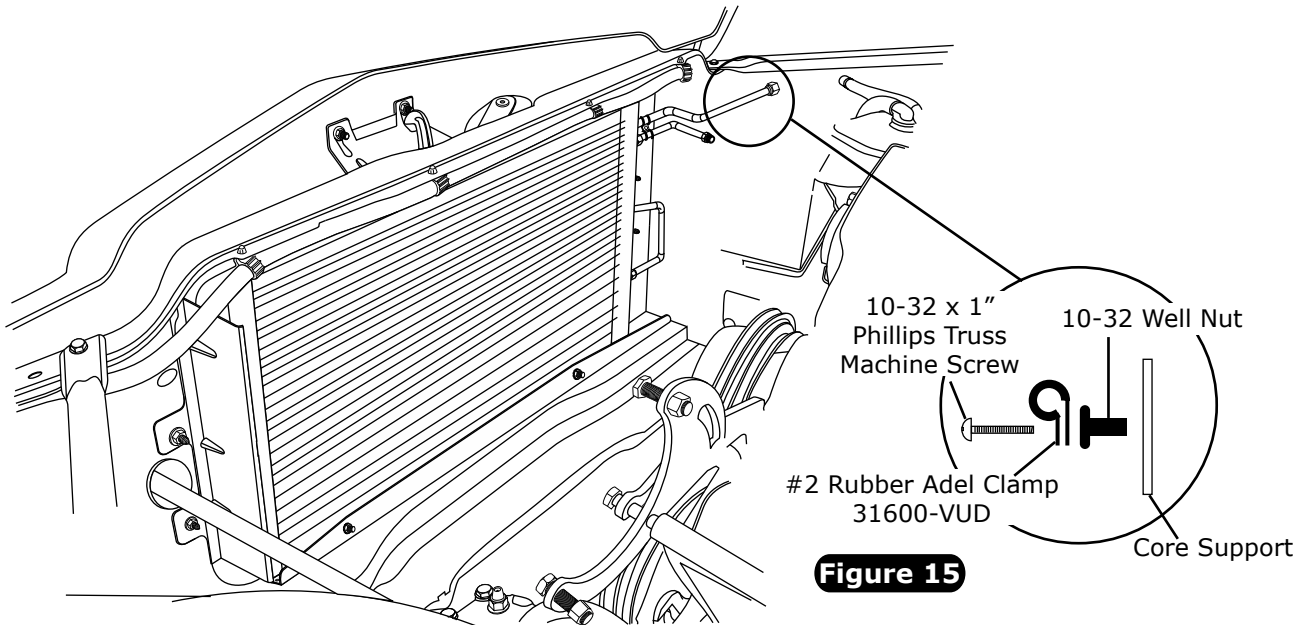


Figure 15

Reinstalling Fan Shroud, Radiator and Radiator Core Support Cover

1. Reinstall OEM fan shroud, radiator, and the radiator core support cover as shown in Figure 16, below.

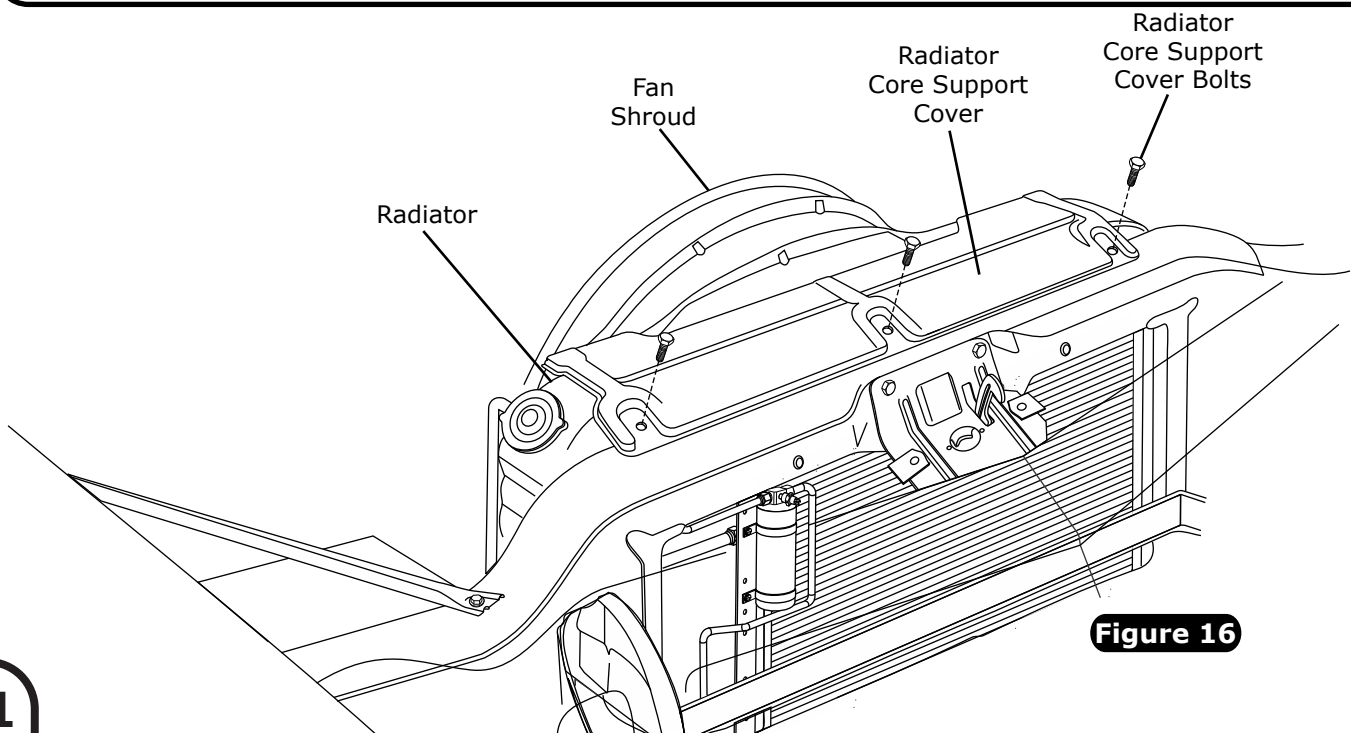


Figure 16



Packing List: 1974-77 Camaro with & without A/C Condenser Kit with Drier (021177)

No.	Qty.	Part No.	Description
1.	1	03767-VUC	14" x 24" Parallel Flow Condenser
2.	2	07113-VUB	Drier Clamp
3.	1	07321-VUC	Drier
4.	2	18247-VUB	#10 x 1/2" Sheet Metal Screw
5.	8	18249-VUB	10-24 x 3/8" Pan Head Screw
6.	8	18260-VUB	10-24 Nut with Star Washer
7.	4	18610-VUB	5/16" Lock Washer
8.	4	18611-VUB	5/16" Flat Washer
9.	4	183009-DSR	5/16-18 x 1 1/4" Coarse Bolt
10.	4	18148-VUB	5/16" Hex Nut
11.	3	33857-VUF	#6 O-ring
12.	1	33858-VUF	#8 O-ring
13.	1	091680	74-81 Camaro #8 Condenser Hardline
14.	1	091681	74-77 Camaro #6 Drier/Core Hardline
15.	1	644074	Bracket 68-77 Camaro Condenser Top
16.	1	644075	Bracket 74-81 Camaro Condenser Bottom
17.	1	65998-VUB	Universal Drier Bracket
18.	1	11079-VUS	Male Binary Switch
19.	1	23127-VUW	72" Compressor Lead
20.	1	091677	#6 Drier/Condenser Hardline
21.	1	18253-VUB	10-32 x 1" Phillips Truss Machine Screw
22.	2	31600-VUD	#2 Rubber Adel Clamp
23.	1	18101-VUB	10-32 Well Nut
24.	1	31603-VUD	#4 Rubber Adel Clamp
25.	1	644025	Bracket 74-81 Camaro Hardline Assembly
26.	1	18287-VUB	1/4-20 x 1/2" Hex Bolt
27.	1	18125-VUB	1/4" Flat Washer
28.	1	18250-VUB	10-32 x 1/2" Phillips Pan Machine Screw
29.	1	18251-VUB	10-32 Nut with Star Washer

Checked By: _____
 Packed By: _____
 Date: _____

