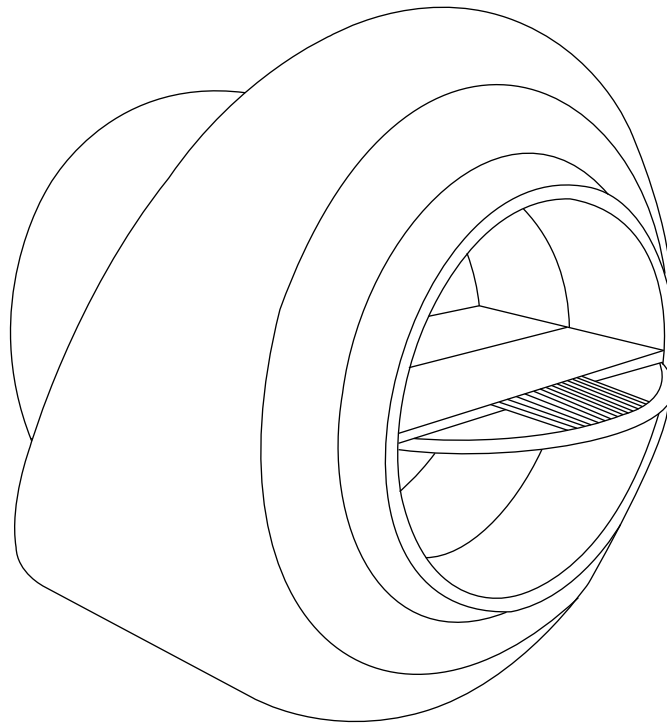




an ISO 9001:2015 Registered Company

1955-57 CHEVY
OPTIONAL DASH LOUVER INSTRUCTION WITH TEMPLATES
FOR 492055 BILLET HOUSINGS
& 492056 CHROME LOUVER ASSEMBLY



492056 SHOWN

18865 Goll St. San Antonio, TX 78266

Phone: 800-862-6658

Sales: sales@vintageair.com

Tech Support: tech@vintageair.com

www.vintageair.com



Table of Contents

PAGES

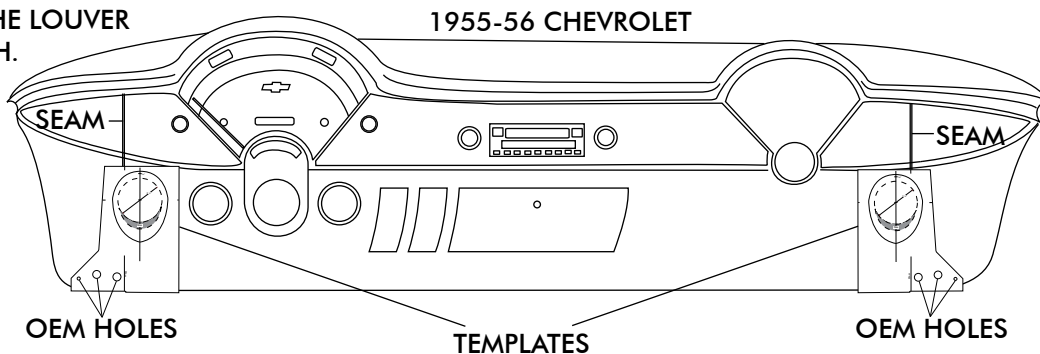
1. COVER
2. TABLE OF CONTENTS
3. PROLINE LOUVER INSTALLATION
4. 1955-56 CHEVROLET DRIVER SIDE TEMPLATE
5. 1955-56 CHEVROLET PASSENGER SIDE TEMPLATE
6. 1957 CHEVROLET DRIVER SIDE TEMPLATE
7. 1957 CHEVROLET PASSENGER SIDE TEMPLATE
8. PACKING LIST



55-56 CHEVROLET PROLINE LOUVER INSTALLATION

NOTE: IF INSTALLING LOUVERS ON A DASH THAT IS ALREADY PAINTED, IT IS RECOMMENDED THAT MASKING TAPE BE USED ON THE SURFACE OF THE DASH TO PROTECT THE PAINT DURING INSTALLATION.

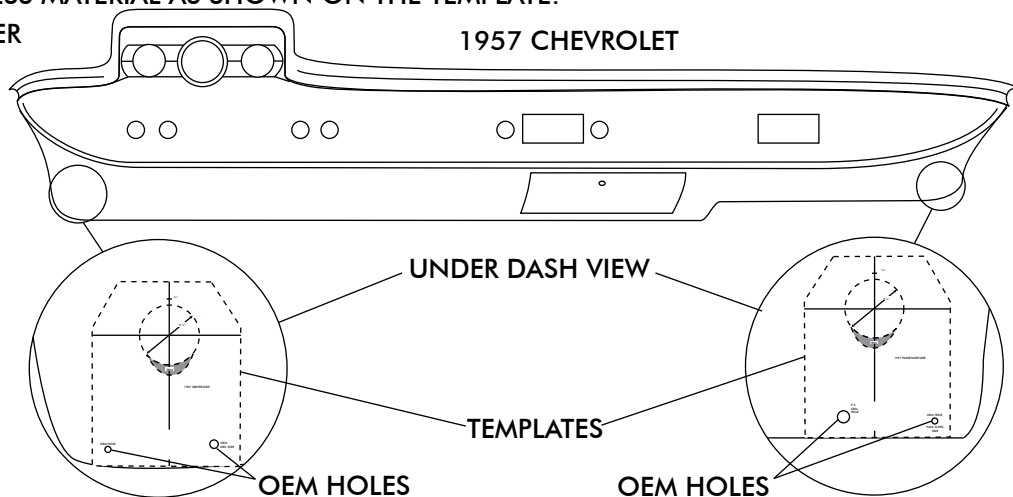
- USE THE TEMPLATE PROVIDED ON PAGES 4 & 5.
- ALIGN AND TAPE TEMPLATE TO THE DASH USING THE OEM HOLES AND SEAM AS SHOWN BELOW.
- MARK OR CENTER PUNCH HOLES ON DASH AS SHOWN ON THE TEMPLATE.
- DRILL A 5/32" AND 2 3/4" HOLE. **NOTE: TOLERANCES ARE TIGHT, MAKE SURE THE HOLES ARE PRECISE.**
- INSTALL THE LOUVER BEZEL INTO THE DASH USING THE UPPER MOUNTING HOLE. VERIFY THAT THE LOUVER BEZEL IS LEVEL AND SQUARE TO THE DASH. USE THE LOWER MOUNTING HOLE AS A GUIDE TO MARK AND DRILL A 5/32" HOLE.
- TRIM OFF THE EXCESS MATERIAL AS SHOWN ON THE TEMPLATE.
- INSTALL THE LOUVER INTO DASH.



57 CHEVROLET PROLINE LOUVER INSTALLATION

NOTE: IF INSTALLING LOUVERS ON A DASH THAT IS ALREADY PAINTED, IT IS RECOMMENDED THAT MASKING TAPE BE USED ON THE SURFACE OF THE DASH TO PROTECT THE PAINT DURING INSTALLATION.

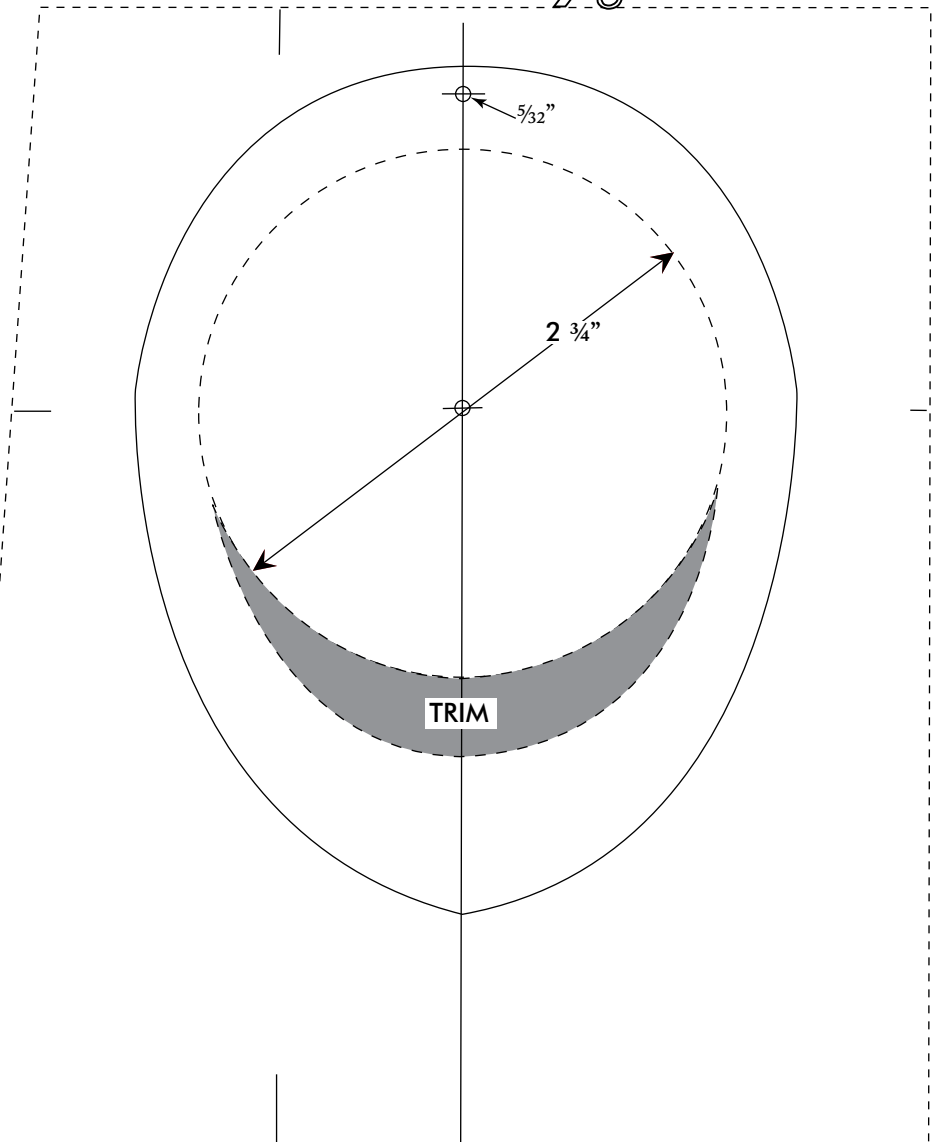
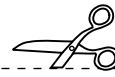
- USE THE TEMPLATE PROVIDED ON PAGES 6 & 7.
- ALIGN AND TAPE TEMPLATE TO THE DASH USING THE OEM HOLES AS SHOWN BELOW.
- MARK OR CENTER PUNCH HOLES ON DASH AS SHOWN ON THE TEMPLATE.
- DRILL A 5/32" AND 2 3/4" HOLE. **NOTE: TOLERANCES ARE TIGHT, MAKE SURE THE HOLES ARE PRECISE.**
- INSTALL THE LOUVER BEZEL INTO THE DASH USING THE UPPER MOUNTING HOLE. VERIFY THAT THE LOUVER BEZEL IS LEVEL AND SQUARE TO THE DASH. USE THE LOWER MOUNTING HOLE AS A GUIDE TO MARK AND DRILL A 5/32" HOLE.
- TRIM OFF THE EXCESS MATERIAL AS SHOWN ON THE TEMPLATE.
- INSTALL THE LOUVER INTO THE DASH.



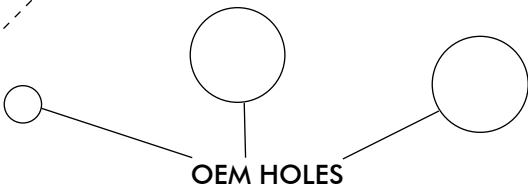


1955-56 CHEVROLET DRIVER SIDE LOUVER TEMPLATE

CUT ALONG
DOTTED LINE



1955-56 CHEVROLET DRIVER SIDE

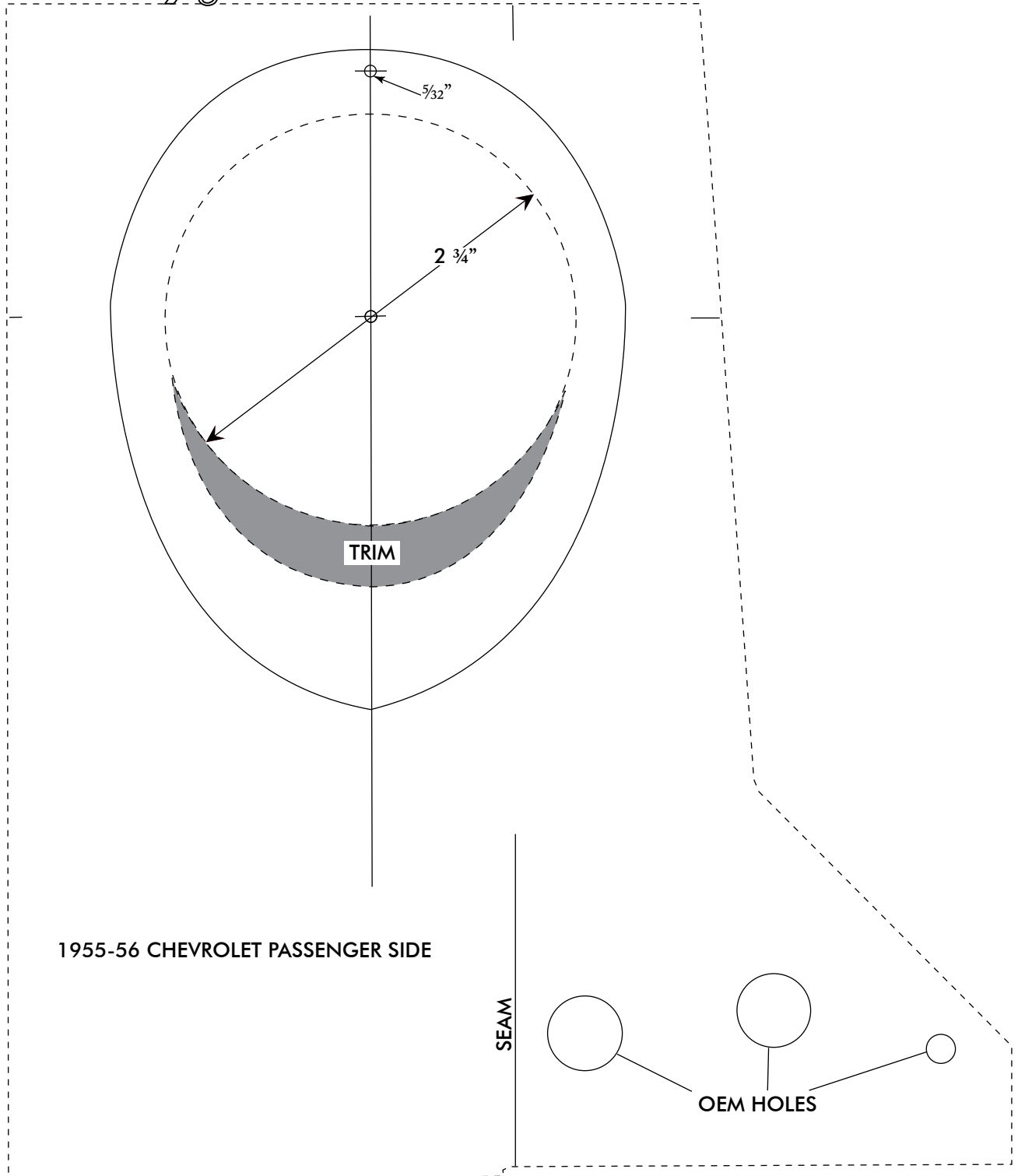
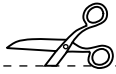


SEAM



1955-56 CHEVROLET PASSENGER SIDE LOUVER TEMPLATE

CUT ALONG
DOTTED LINE



1955-56 CHEVROLET PASSENGER SIDE

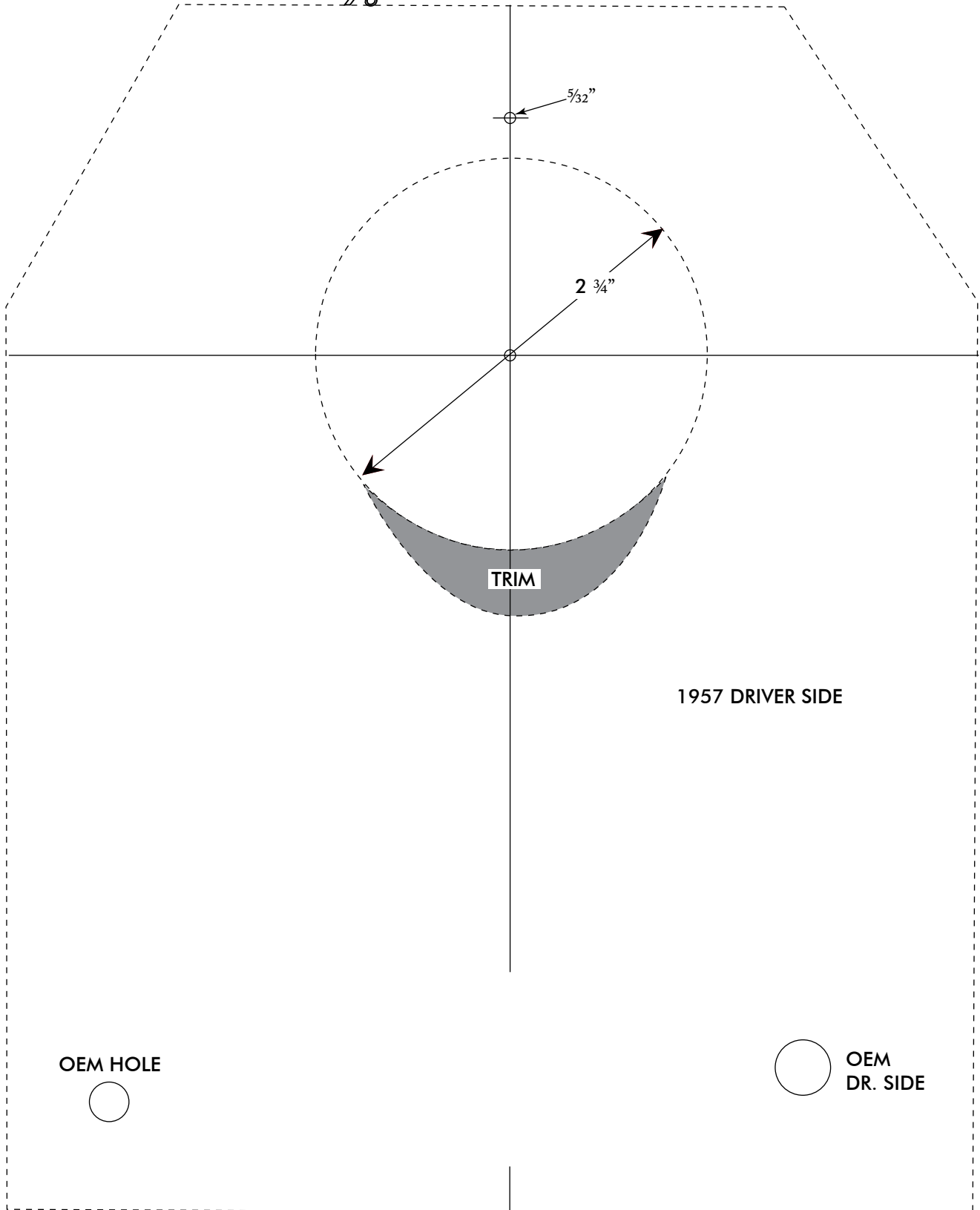
SEAM

OEM HOLES



1957 CHEVROLET DRIVER SIDE LOUVER TEMPLATE

CUT ALONG
DOTTED LINE



OEM HOLE



1957 DRIVER SIDE

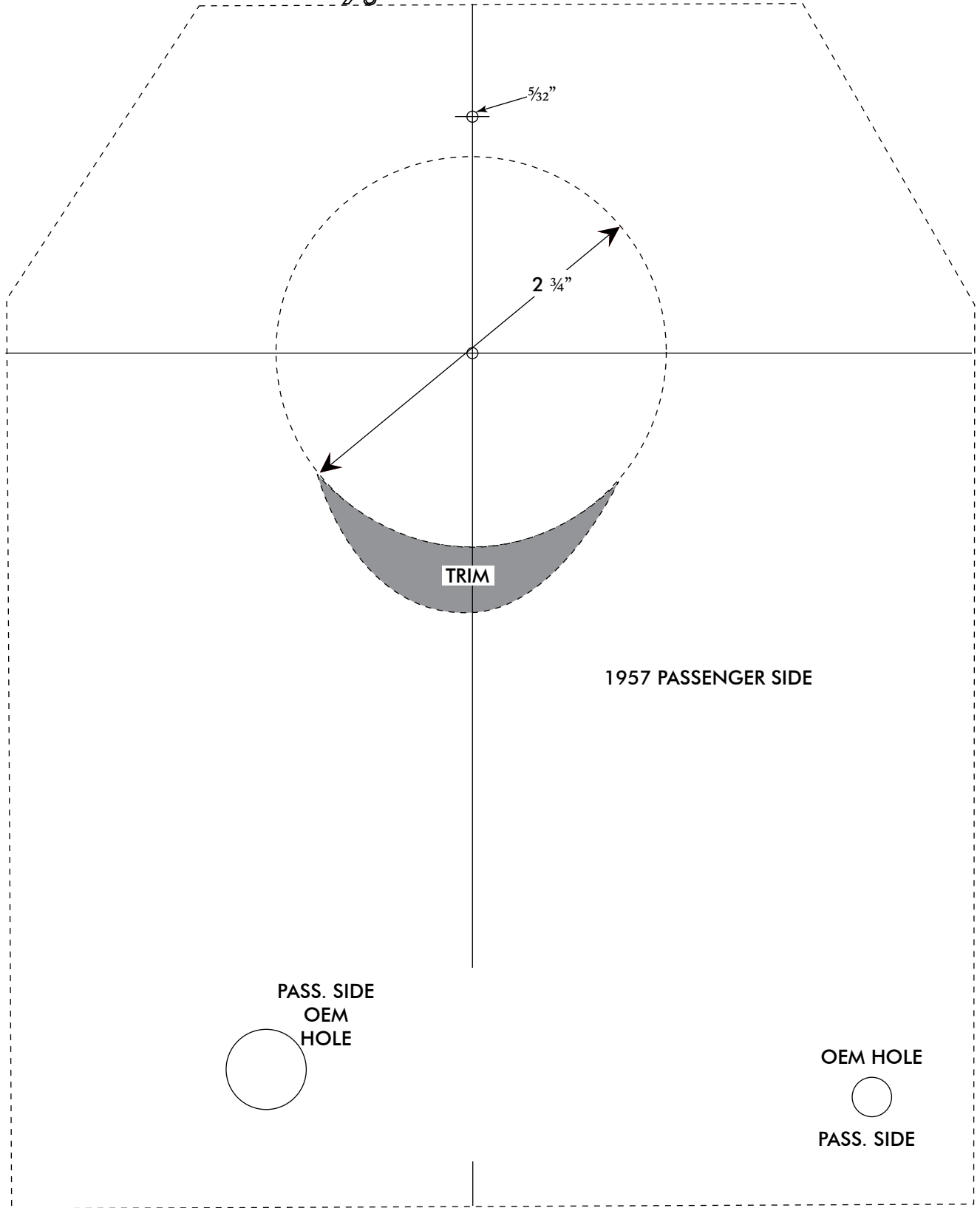


OEM
DR. SIDE



1957 CHEVROLET PASSENGER SIDE LOUVER TEMPLATE

CUT ALONG
DOTTED LINE



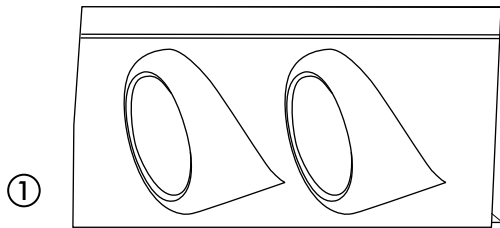


PAIR LOUVER 1955-57 CHEVROLET MACHINED ASSEMBLY

**LOUVER KIT
492055**

No.	QTY.	PART No.	DESCRIPTION
1.	1	492053	PAIR LOUVER 1955-57 CHEVROLET MACHINED WITH HARDWARE _____

CHECKED BY: _____
 PACKED BY: _____
 DATE: _____



PAIR LOUVER 1955-57 CHEVROLET CHROME ASSEMBLY

**LOUVER KIT
492056**

No.	QTY.	PART No.	DESCRIPTION
1.	1	492054	PAIR LOUVER 1955-57 CHEVROLET CHROME BEZEL WITH HARDWARE _____
2.	2	49153-VUL	CHROME BALL LOUVER _____

CHECKED BY: _____
 PACKED BY: _____
 DATE: _____

