



1963-64 Chevrolet Impala

without Factory Air
Gen 5 Evaporator Kit
(561356)



18865 Goll St. San Antonio, TX 78266
Phone: 800-862-6658
Sales: sales@vintageair.com
Tech Support: tech@vintageair.com
www.vintageair.com



www.vintageair.com

Table of Contents

Cover.....	1
Table of Contents.....	2
Packing List/Parts Disclaimer.....	3
Information Page.....	4
Wiring Notice.....	5
Engine Compartment Disassembly, Condenser Assembly and Installation, Compressor and Brackets, Pulleys.....	6
Passenger Compartment.....	7
Firewall Modification, Firewall Cover Preparation.....	8
Firewall Cover Installation and Insulation, Defrost Duct Installation.....	9
Kick Panel Modification.....	10
Fresh Air Cap & Kick Panel Cover Preparation.....	11
Lubricating O-rings, Properly Seated O-ring Land.....	12
Evaporator Module Preparation.....	13
Kick Panel Installation, Wiring Installation.....	14
Fresh Air Cap & Kick Panel Cover Installation.....	15
Evaporator Installation.....	16
Evaporator Installation (Cont.), Drain Hose Installation.....	17
Heater Hose & Heater Control Valve Installation, Inner Fender Installation.....	18
A/C Hose Installation.....	19
A/C and Heater Hose Routing.....	20
Wiring Final, Driver-Side Under Dash Louver Installation.....	21
Center/Passenger-Side Under Dash Louver Installation.....	22
Engine Compartment Wiring.....	23
Final Steps: Installation Check.....	24
Final Steps: Completing the Install, Glove Box Installation.....	25
Duct Hose Routing.....	26
Quality Crimp Guideline.....	27
Gen 5 Wiring Diagram.....	28
Gen 5 Wiring Connection Instruction.....	29
Operation of Controls.....	30
Troubleshooting Guide.....	31
Troubleshooting Guide (Cont.), Advanced Diagnostics and Troubleshooting Guide.....	32
Packing List.....	33



www.vintageair.com

Packing List: Evaporator Kit (561356)

No.	Qty.	Part No.	Description
1.	1	765200	Gen 5 Magnum Max Module with 404 ECU
2.	1	781356	Accessory Kit

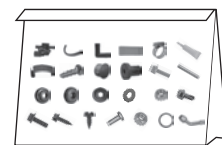
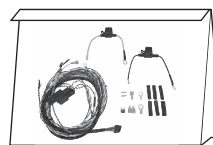
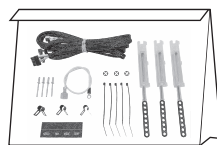
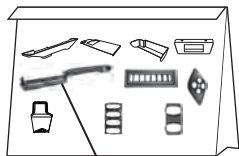
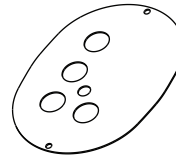
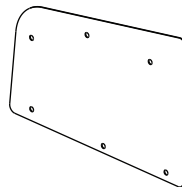
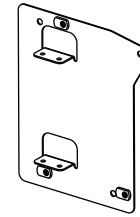
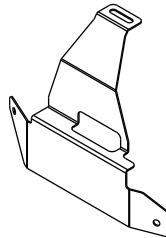
**** Before beginning installation, open all packages and check contents of shipment. Please report any shortages directly to Vintage Air within 15 days. After 15 days, Vintage Air will not be responsible for missing or damaged items.**

1



Gen 5 Magnum Max
Module with 404 ECU
765200

2



Accessory Kit
781356

NOTE: Images may not depict actual parts and quantities. Refer to packing list for actual parts and quantities.



www.vintageair.com

Important Notice—Please Read

For Maximum System Performance, Vintage Air Recommends the Following:

NOTE: Vintage Air systems are designed to operate with R134a refrigerant only. Use of any other refrigerant could damage your A/C system and/or vehicle, and possibly cause a fire, in addition to potentially voiding the warranties of the A/C system and its components.

Refrigerant Capacities:

Vintage Air System: 1.8 lbs. (28.8 oz.) or 816 grams of **R134a**, charged by weight with a quality charging station or scale. **NOTE: Use of the proper type and amount of refrigerant is critical to system operation and performance.**

Other Systems: Consult manufacturer's guidelines.

Lubricant Capacities:

New Vintage Air-Supplied Sanden Compressor: No additional oil needed (Compressor is shipped with proper oil charge).

All Other Compressors: Consult manufacturer (Some compressors are shipped dry and will need oil added).

Safety Switches

Your Vintage Air system is equipped with a binary pressure safety switch. A binary switch disengages the compressor clutch in cases of extreme low pressure conditions (refrigerant loss) or excessively high head pressure (406 PSI) to prevent compressor damage or hose rupture. A trinary switch combines Hi/Lo pressure protection with an electric fan operation signal at 254 PSI, and should be substituted for use with electric fans. Compressor safety switches are extremely important since an A/C system relies on refrigerant to circulate lubricant.

Service Info:

Protect Your Investment: Prior to assembly, it is critical that the compressor, evaporator, A/C hoses and fittings, hardlines, condenser and receiver/drier remain capped. Removing caps prior to assembly will allow moisture, insects and debris into the components, possibly leading to reduced performance and/or premature failure of your A/C system. This is especially important with the receiver/drier.

Additionally, when caps are removed for assembly, **BE CAREFUL!** Some components are shipped under pressure with dry nitrogen.

Evacuate the System for 35-45 Minutes: Ensure that system components (Drier, compressor, evaporator and condenser) are at a temperature of at least 85°F. On a cool day, the components can be heated with a heat gun **or** by running the engine with the heater on before evacuating. Leak check and charge to specifications.

Bolts Passing Through Cowl and/or Firewall:

To ensure a watertight seal between the passenger compartment and the vehicle exterior, for all bolts passing through the cowl and/or firewall, Vintage Air recommends coating the threads with silicone prior to installation.

Heater Hose (not included with this kit):

Heater hose may be purchased from Vintage Air (Part#31800-VUD) or your local parts retailer. Routing and required length will vary based on installer preference.



www.vintageair.com

Important Wiring Notice—Please Read

Some vehicles may have had some or all of their radio interference capacitors removed. There should be a capacitor found at each of the following locations:

- 1. On the positive terminal of the ignition coil.**
- 2. If there is a generator, on the armature terminal of the generator.**
- 3. If there is a generator, on the battery terminal of the voltage regulator.**

Most alternators have a capacitor installed internally to eliminate what is called “whining” as the engine is revved. If whining is heard in the radio, or just to be extra cautious, a radio interference capacitor can be added to the battery terminal of the alternator.

It is also important that the battery lead is in good shape and that the ground leads are not compromised. There should be a heavy ground from the battery to the engine block, and additional grounds to the body and chassis.

If these precautions are not observed, it is possible for voltage spikes to be present on the battery leads. These spikes come from ignition systems and charging systems, and from switching some of the vehicle’s other systems on and off. Modern computer-operated equipment can be sensitive to voltage spikes on the power leads, which can cause unexpected resets, strange behavior and/or permanent damage.

Vintage Air strives to harden our products against these types of electrical noise, but there is a point where a vehicle’s electrical system can be degraded so much that nothing can help.

Radio interference capacitors should be available at most auto and truck parts suppliers. They typically are cylindrical in shape, a little over an inch long and a little over a half-inch in diameter, and they have a single lead coming from one end of the cylinder with a terminal on the end of the wire, as well as a mounting clip which is screwed into a good ground on the vehicle. The specific value of the capacitance is not too significant in comparison to ignition capacitors that are matched with the coil to reduce pitting of the points.

- Care must be taken, when installing the compressor lead, not to short it to ground. The compressor lead must not be connected to a condenser fan or to any other auxiliary device. Shorting to ground or connecting to a condenser fan or any other auxiliary device may damage wiring or the compressor relay, and/or cause a malfunction.
- When installing ground leads on Gen 5 systems, the blower control ground and ECU ground must be connected directly to the negative battery post.
- For proper system operation, the heater control valve must be connected to the ECU.



www.vintageair.com

Engine Compartment Disassembly

NOTE: Before starting the installation, check the function of the vehicle (horn, lights, etc.) for proper operation, and study the instructions, illustrations, photos & diagrams.

Perform the following:

1. Disconnect the battery.
2. Remove the battery (retain).
3. Drain the radiator.
4. Remove the OEM heater hoses (discard) (See Figure 1, below).
5. Remove the OEM heater/blower assembly (discard) (See Figure 1, below).
6. To remove the OEM heater/blower assembly, remove the right inner fender. **NOTE: This step is necessary to install the new fresh air cap.**

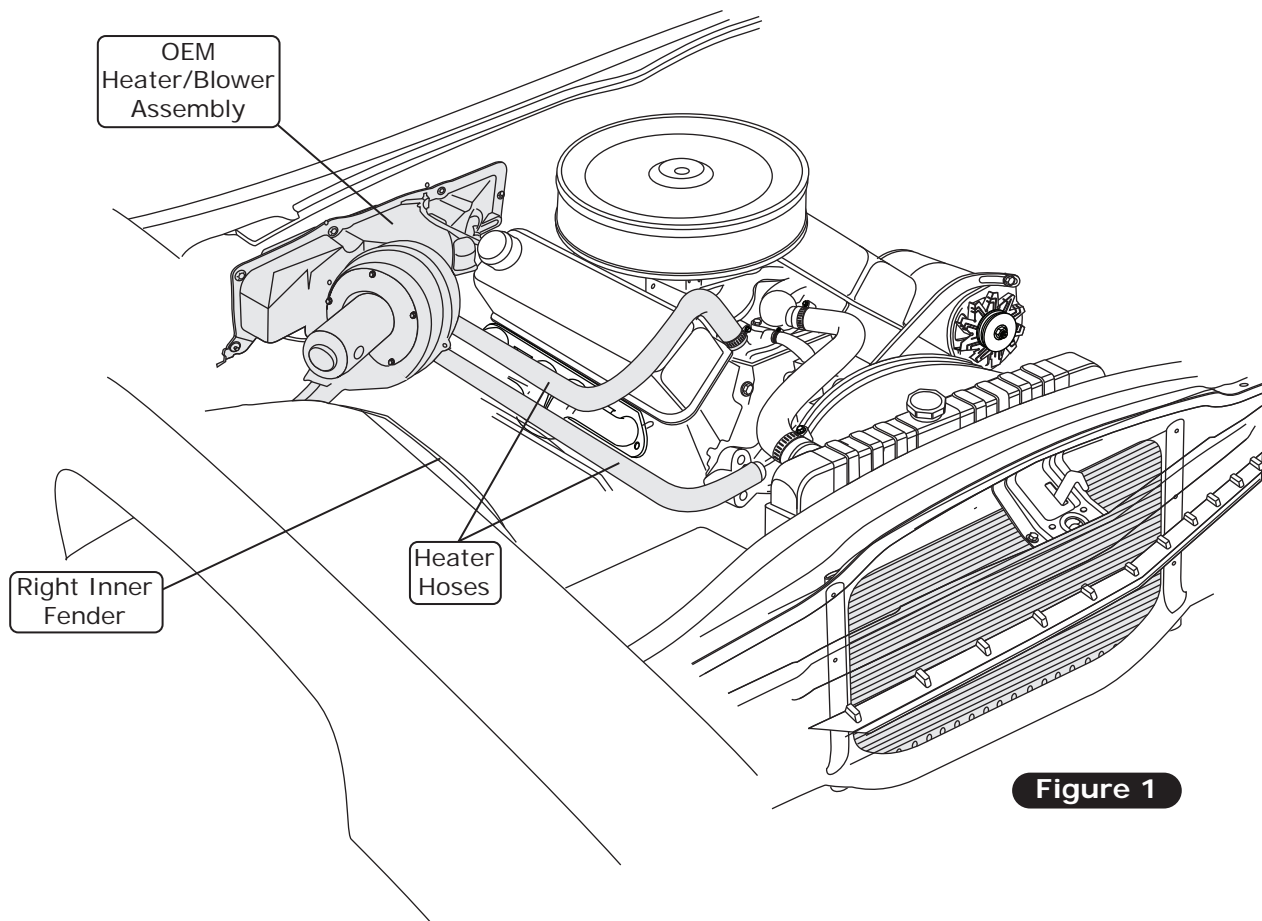


Figure 1

Condenser Assembly and Installation

1. Refer to separate instructions included with the condenser kit to install the condenser.
2. Binary switch installation (Refer to condenser instructions).

Compressor and Brackets

1. Refer to separate instructions included with the bracket kit to install the compressor bracket.

Pulleys

1. In most instances, the belt lengths will remain the same.



www.vintageair.com

Passenger Compartment Disassembly

Perform the following:

1. Remove the instrument panel (See Figure 1, below).
2. Remove the OEM control panel assembly (retain).
3. Remove the glove box door (retain).
4. Remove the glove box (discard).
5. Remove the radio and speaker (retain) (See Figure 1, below).
6. Remove the OEM heater assembly (discard) (See Figure 1a, below).
7. Using a chisel or die grinder, remove the spot welds on the defrost duct (See Figure 2, below).
8. Remove the OEM defrost duct assembly (discard) (See Figures 1a & 2, below).

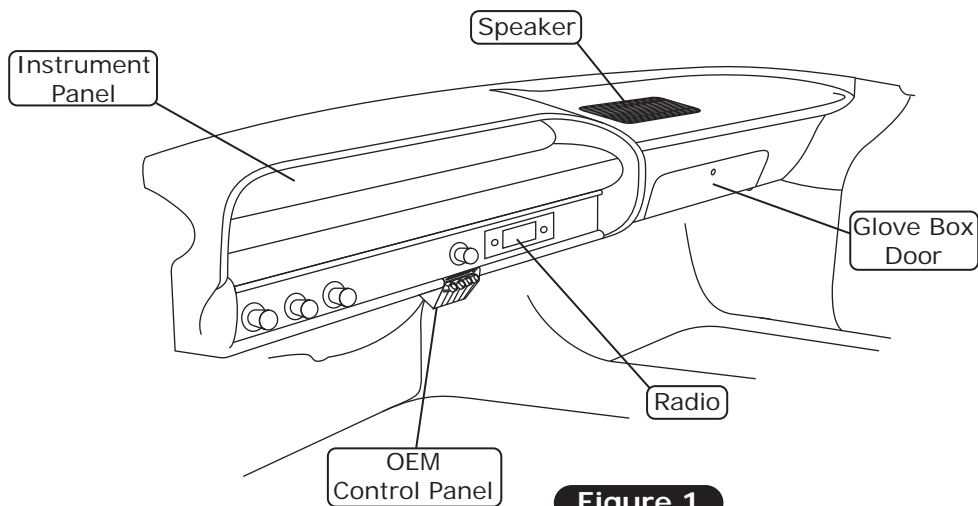


Figure 1

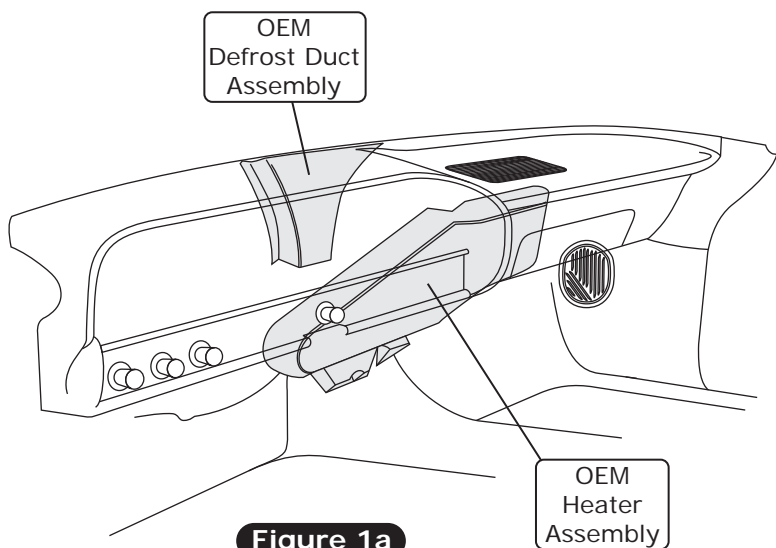
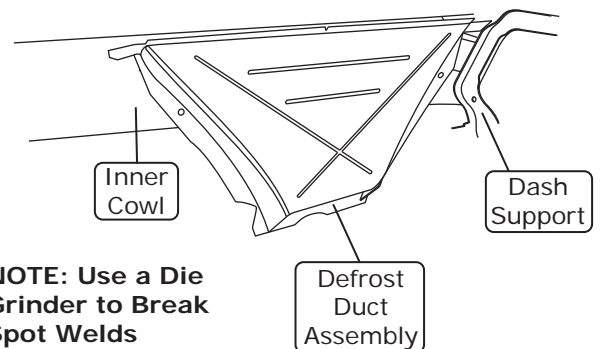


Figure 1a



NOTE: Use a Die Grinder to Break Spot Welds

Figure 2



www.vintageair.com

Firewall Modification

NOTE: A firewall modification is required for the firewall cover and drain hose installation.

1. Remove or flatten the edges of the firewall opening (See Photos 1 and 2, below).

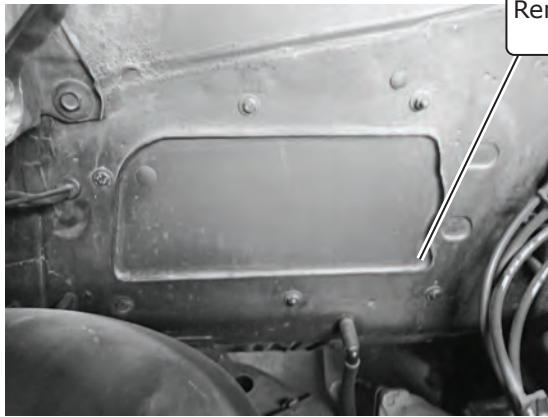


Photo 1

Remove or flatten edges of firewall opening

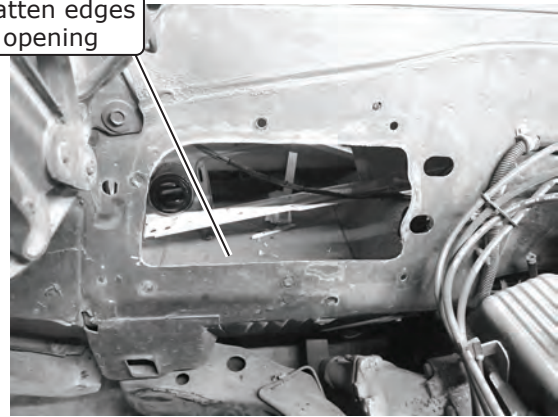


Photo 2

Firewall Cover Preparation

1. Install (2) 1/4-20 x 3/4" serrated flange black bolts with (2) 1/4" pushnut bolt retainers onto the firewall cover (See Photo 1, below).
2. Temporarily install the firewall cover onto the firewall.
3. Align the OEM holes with the firewall cover, then enlarge the OEM holes if needed. Mark and drill the extra mounting hole shown in Photo 2, below.
4. Remove the cover and install a 1/4-20 x 3/4" serrated flange black bolt with a 1/4" pushnut bolt retainer onto the firewall cover (See Photo 3, below).

Firewall Cover
643566

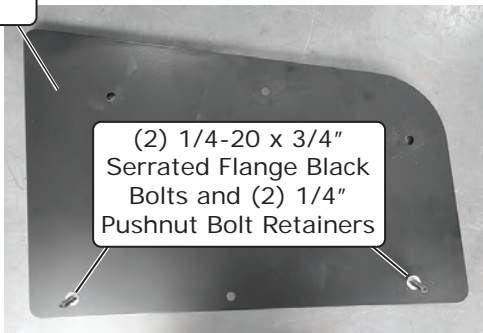


Photo 1

(2) 1/4-20 x 3/4"
Serrated Flange Black
Bolts and (2) 1/4"
Pushnut Bolt Retainers

Mark and drill extra
mounting hole

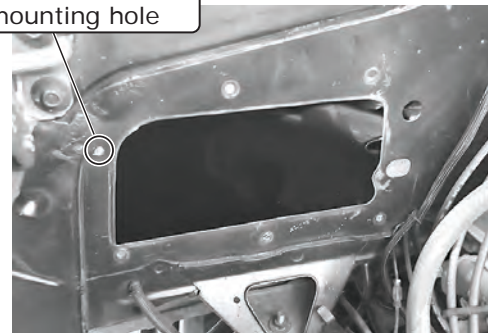


Photo 2

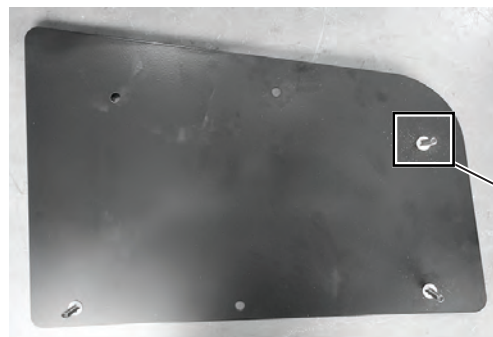
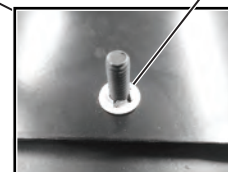


Photo 3

Install 1/4-20 x 3/4" serrated flange
black bolt with a 1/4" pushnut bolt
retainer onto firewall cover





www.vintageair.com

Firewall Cover Installation and Insulation

NOTE: For proper system operation, Vintage Air recommends using Dynaliner (461500-VIP) heatblocking insulation in the area around the evaporator module (firewall, kick panel, inner cowl and firewall covers). Due to tight clearance for the evaporator module, between the firewall and dash, Vintage Air recommends an insulation thickness of no more than 1/8".

1. Apply silicone/seam sealer to the mating surface of the firewall cover.
2. Install the firewall cover onto the firewall, then secure it using (3) 1/4" USS flat washers and (3) 1/4-20 hex nuts with star washers (See Photo 1, below).
3. Clean the firewall and necessary areas, then apply heat-blocking insulation (See Photo 1, below).



Photo 1

Defrost Duct Installation

1. Place the defrost duct under the dash, and align it with the OEM defrost opening. Drill (2) 1/8" holes in the cowl, using the defrost duct hole as a template. Secure using (2) #10 x 1/2" sheet metal screws as shown in Figure 1, below.

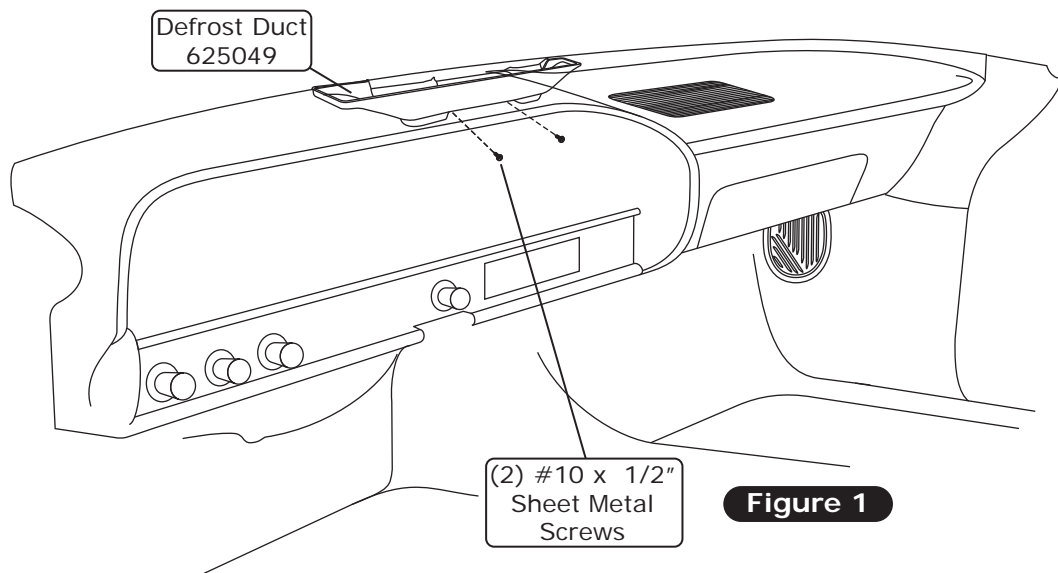


Figure 1



www.vintageair.com

Kick Panel Modification

1. Remove the passenger-side kick panel (See Photo 1, below).
2. Remove the kick panel fresh air door assembly by removing (6) OEM screws (retain hardware) (See Photo 2, below).
3. Disconnect the pull cable assembly and fresh air door from the housing (discard) (See Photos 3 and 4, below).
NOTE: Removal of the tabs is optional.
4. Drill out the OEM mounting rivets fastening the metal screen to the kick panel (See Photo 5, below).

Remove passenger-side kick panel



Photo 1

Remove kick panel fresh air door assembly by removing (6) OEM screws

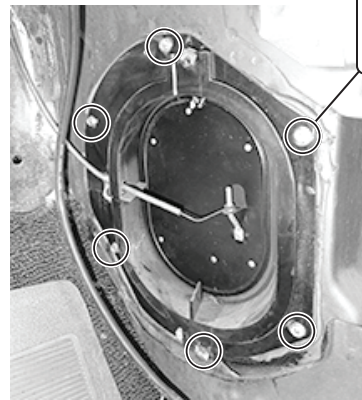


Photo 2

Disconnect pull cable assembly and fresh air door from housing

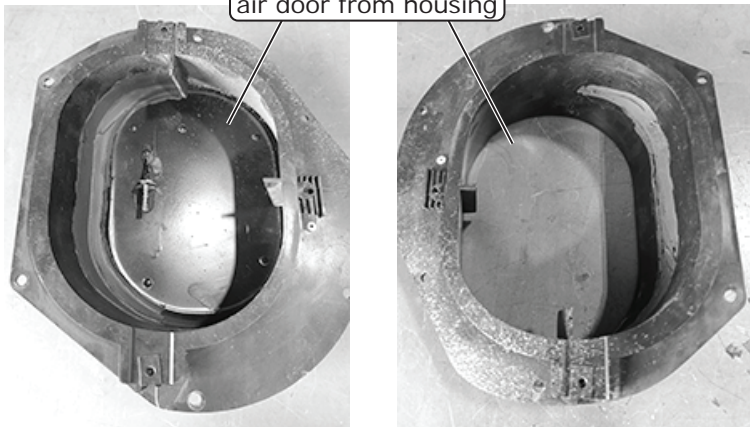


Photo 3

Photo 4

Drill out OEM mounting rivets

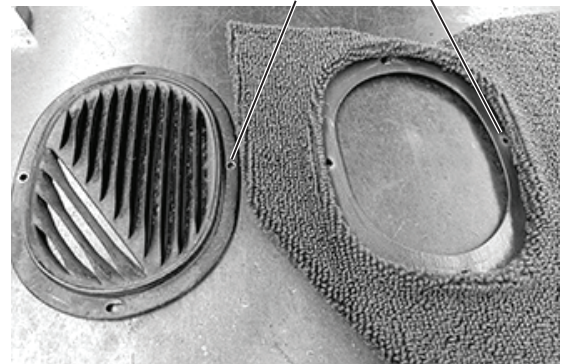


Photo 5



www.vintageair.com

Fresh Air Cap & Kick Panel Cover Preparation

1. Install (3) large grommets, a 1 1/4" O.D. grommet and a 7/8" grommet into the fresh air cap (See Photo 1, below).
2. On the inside of the fresh air cap, the letter "T" indicates the top mounting hole for the firewall.
3. Install (3) large grommets, a 1 1/4" O.D. grommet and a 7/8" grommet into the kick panel cover (See Photo 2, below).

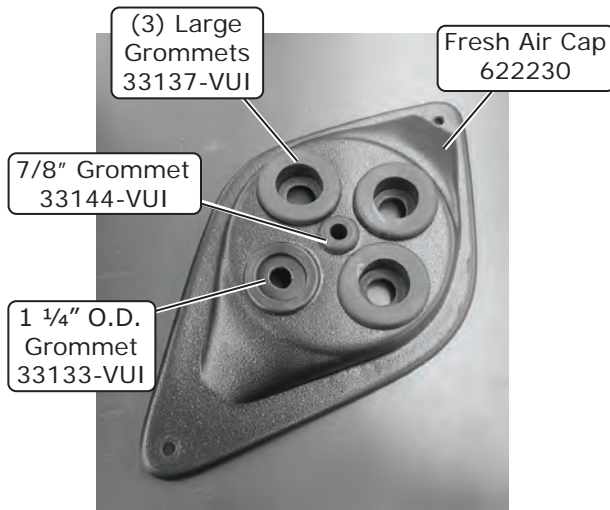


Photo 1

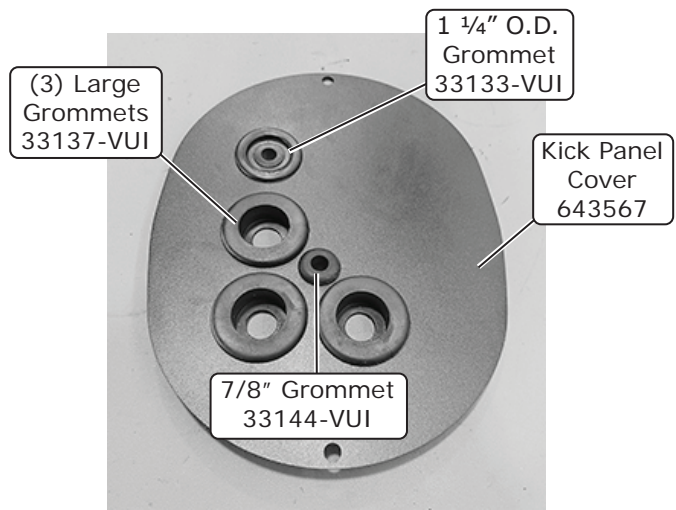
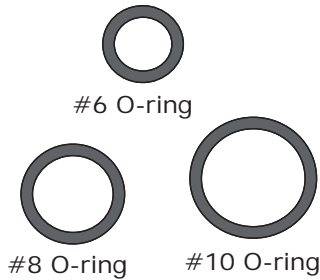


Photo 2



www.vintageair.com

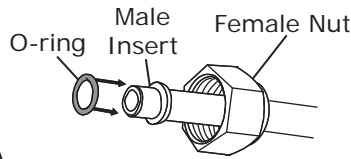
Lubricating O-rings



#6 O-ring

#8 O-ring

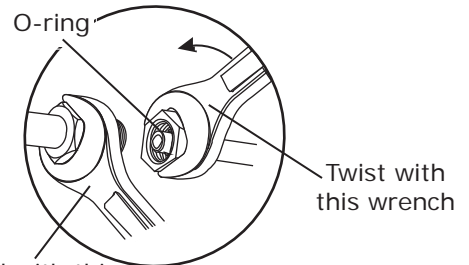
#10 O-ring



Refrigerant Oil for O-rings

O-ring installs over male insert to swaged lip

For a proper seal of fittings: Install supplied O-rings as shown and lubricate with refrigerant oil.



Hold with this wrench

Twist with this wrench

NOTE: Standard torque specifications:

#6: 11 to 13 ft.-lb.

#8: 15 to 20 ft.-lb.

#10: 21 to 27 ft.-lb.

Properly Seated O-ring Land

When installing a hardline or A/C hose fitting onto the evaporator module, ensure the O-ring land is seated properly (See Photo 1, below). An improperly seated O-ring land (See Photo 2, below) can cause a leak. To properly install the fitting, slide the hardline or A/C hose nut back to expose the O-ring land and seat it onto the evaporator module fitting. Then, slide the hardline or A/C hose nut forward and thread it onto the evaporator module fitting, ensuring the O-ring land does not move or lift.

Properly Seated O-ring Land



Photo 1

Improperly Seated O-ring Land



Photo 2

NOTE: Photos shown are for reference only. Fittings may vary depending on kit received.



www.vintageair.com

Evaporator Module Preparation

Perform the following on a workbench:

1. Install (3) 1/2" plastic plugs into the rear mounting holes of the module (See Photos 1 and 2, below).
NOTE: These mounting positions will not be used in this application.
2. Remove the caps and rubber inserts from the heater fittings. With (2) properly lubricated #10 O-rings (See Lubricating O-rings, Page 12), install the (2) 45° heater hardlines (See Photo 3, below).
3. Using (4) #10 x 5/8" screws, install the evaporator firewall bracket onto the evaporator module, then install (2) 1/4-20 full-threaded studs (See Photo 4, below).
4. Using (4) spring clips ((2) per side), install the dash plenum onto the evaporator module (See Photo 5, below).
5. Using (2) spring clips, install the floor plenum onto the rear of the evaporator module (See Photo 6, below).
6. Using (2) spring clips, install the defrost plenum onto the front of the evaporator module (See Photos 7 and 8, below).

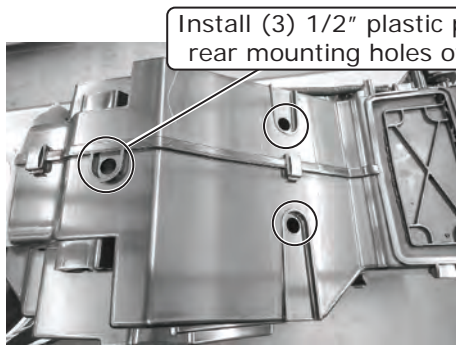


Photo 1

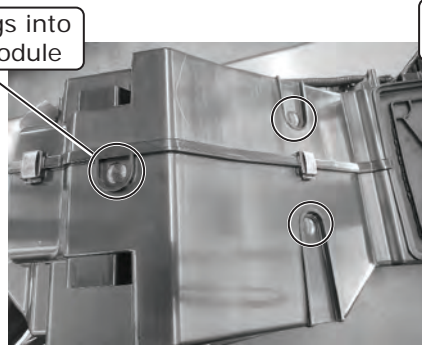


Photo 2

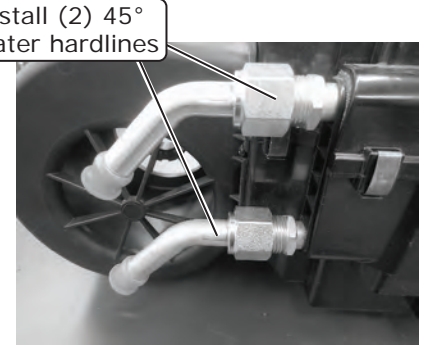
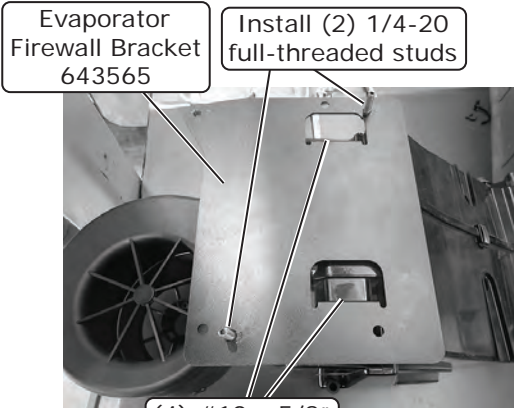


Photo 3



(4) #10 x 5/8" Screws

Photo 4

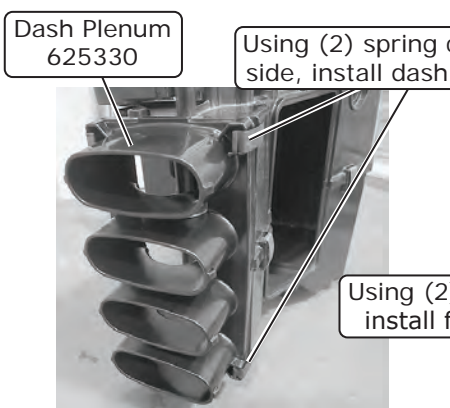


Photo 5

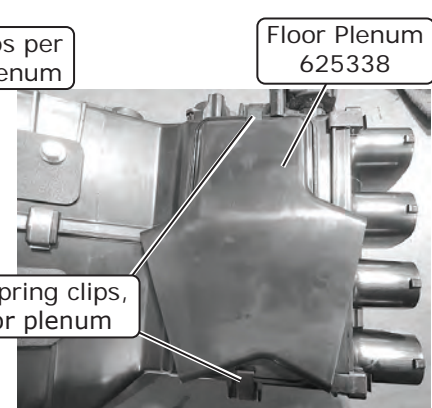


Photo 6

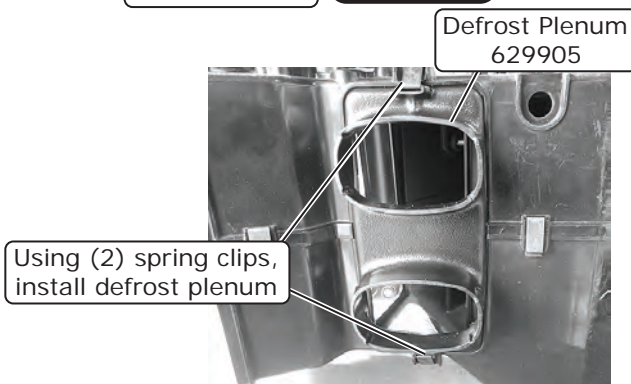
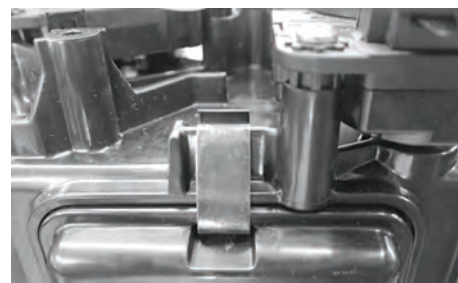


Photo 7



Spring Clip Installed

Photo 8



www.vintageair.com

Kick Panel Installation

1. Apply silicone/seam sealer to the mating surface of the kick panel opening (See Photo 1, below). Reinstall the fresh air door housing (See Photo 2, below). Secure using the OEM screws.
2. Reinstall the kick panel (See Photo 3, below).

Apply silicone/seam sealer to mating surface of kick panel opening

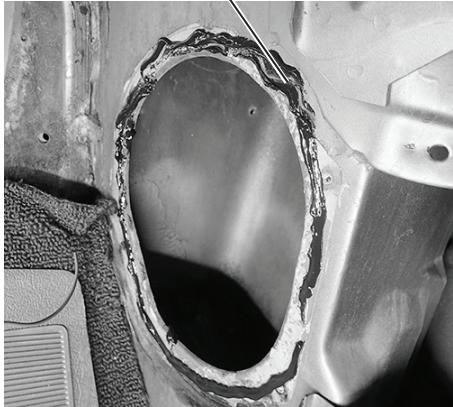


Photo 1

Reinstall fresh air door housing



Photo 2

Reinstall kick panel

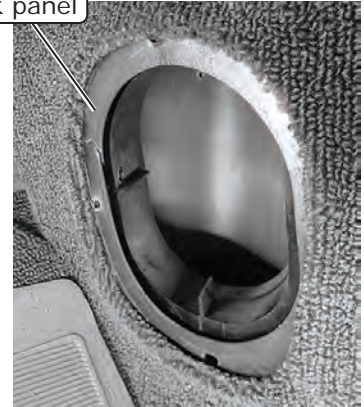


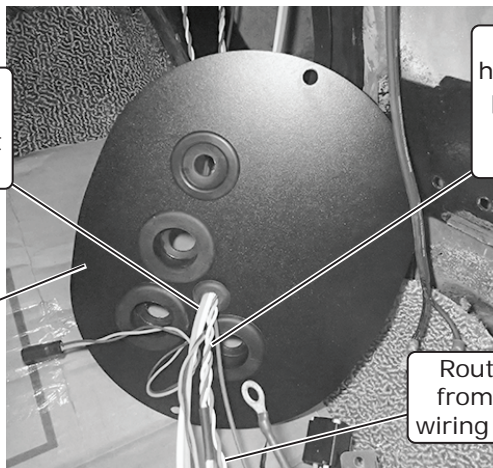
Photo 3

Wiring Installation

1. Locate the heater control valve plug on the main wiring harness (white/yellow/purple). Route it through the 7/8" wiring grommet on the kick panel cover (See Photo 1, below) and into the kick panel opening. Then, through the wiring grommet on the fresh air cap and into the engine compartment.
2. Route the red, white and blue wires from the main harness through the 7/8" wiring grommet on the kick panel cover (See Photo 1, below) and into the kick panel opening. Then, route the wires through the wiring grommet on the fresh air cap and into the engine compartment.
3. Leave approximately 8" of wiring between the kick panel cover and relay.
4. Place the evaporator module on the passenger-side floorboard.
5. Route the heavy gauge orange and white wires through the wiring grommet on the kick panel cover (See Photo 1, below) and into the kick panel opening. Then, through the wiring grommet on the fresh air cap and into the engine compartment.

Route heavy gauge orange and white wires through wiring grommet on kick panel cover

Kick Panel Cover
643567



Route main wiring harness (white/yellow/purple) through 7/8" wiring grommet on kick panel cover

Route red, white and blue wires from main harness through 7/8" wiring grommet on kick panel cover

Photo 1



www.vintageair.com

Fresh Air Cap & Kick Panel Cover Installation

1. Route the A/C and heater hoses through the fresh air cap in the engine compartment into the passenger compartment as shown in Photo 1, below. Slide the fresh air cap into position and secure it to the firewall using (2) #14 x 3/4" washer head screws. Apply silicone around the outer edge of the fresh air cap.
NOTE: An additional mounting hole may need to be added to secure the fresh air cap to the firewall.
2. Route the A/C and heater hoses through the kick panel cover as shown in Photo 2, below.
3. Secure the cover to the kick panel using (2) OEM screws (See Photo 2, below).

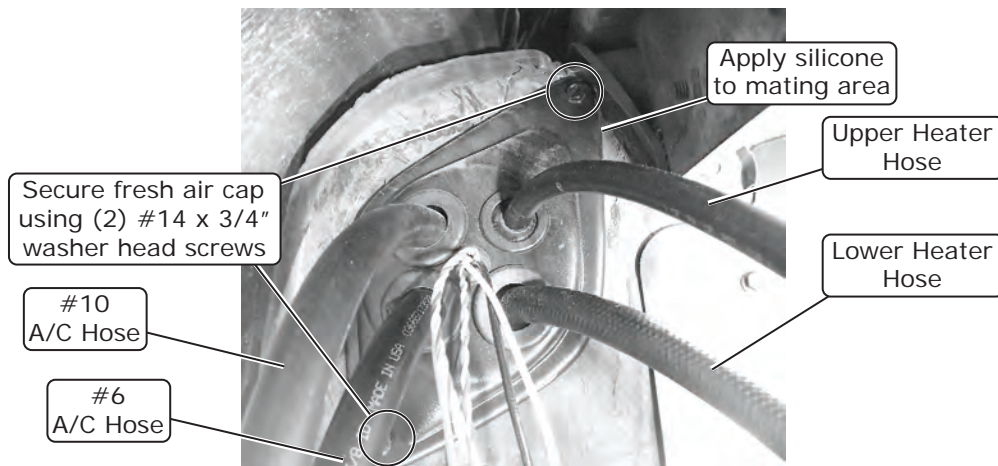


Photo 1

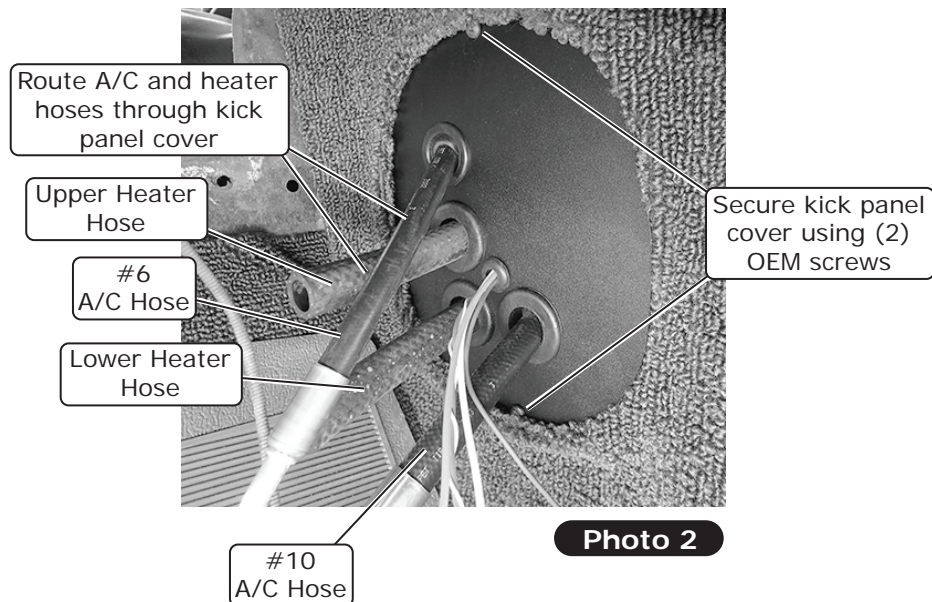


Photo 2

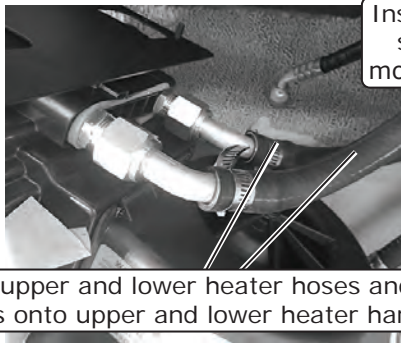


www.vintageair.com

Evaporator Installation

NOTE: To ensure a watertight seal between the passenger compartment and the vehicle exterior, for all bolts passing through the firewall, Vintage Air recommends coating the threads with silicone prior to installation.

1. With the evaporator module on the passenger-side floorboard, install the upper and lower heater hoses with hose clamps onto the upper and lower heater hardlines on the evaporator module (See Photo 1, below).
2. Roll the evaporator module into its mounting position and insert the (2) 1/4-20 full-threaded studs into the upper and lower mounting holes on the firewall cover (See Photo 2, below).
3. Install (2) 1/4-20 well nuts into the front mounting provisions of the evaporator module (See Photo 3, below).
4. Using (2) 1/4-20 x 1" serrated flange bolts, secure the evaporator front bracket to the evaporator module (See Photo 4, below).
5. Using the OEM bolt, secure the front bracket tab onto the OEM speaker bracket (See Figure 1, below).
6. Using a properly lubricated #6 O-ring (See Lubricating O-rings, Page 12), install the 45° fitting on the #6 drier/evaporator A/C hose onto the #6 fitting on the block valve adapter on the evaporator module (See Photo 5, below). **NOTE: Provide enough A/C hose when connecting the 45° fitting to the module. Once the connection is made, pull excess hose into the engine compartment, being sure not to kink it.**



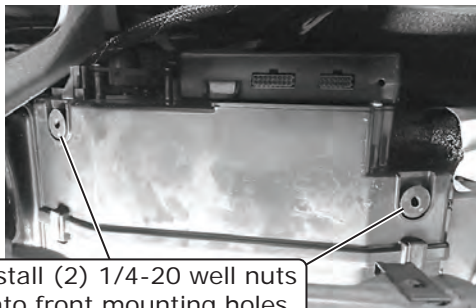
Install upper and lower heater hoses and hose clamps onto upper and lower heater hardlines

Photo 1

Insert (2) 1/4-20 full-threaded studs into upper and lower mounting hole on firewall cover

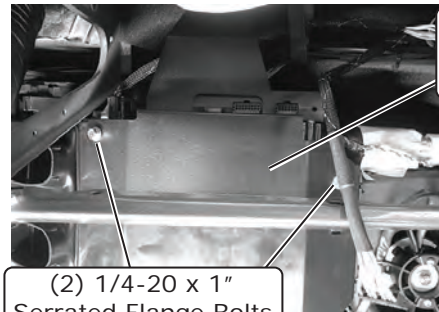


Photo 2



Install (2) 1/4-20 well nuts into front mounting holes on evaporator module

Photo 3



(2) 1/4-20 x 1" Serrated Flange Bolts

Evaporator Front Bracket 643563

Photo 4

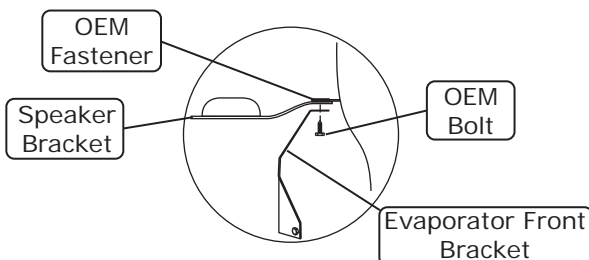
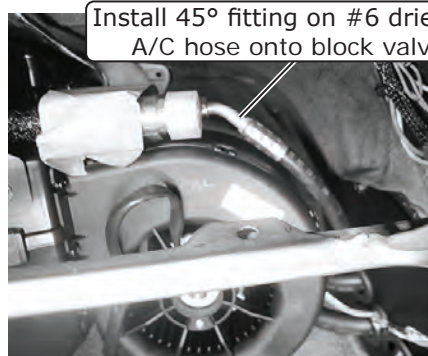


Figure 1



Install 45° fitting on #6 drier/evaporator A/C hose onto block valve adapter

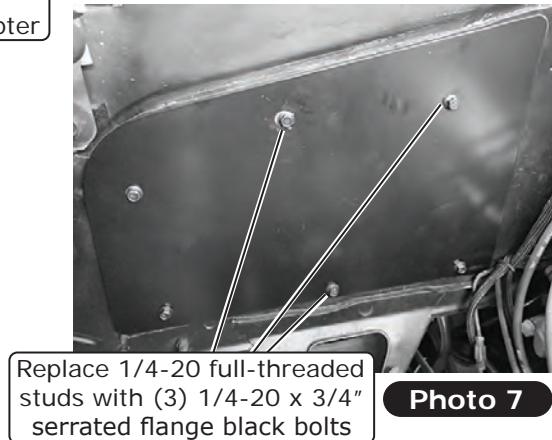
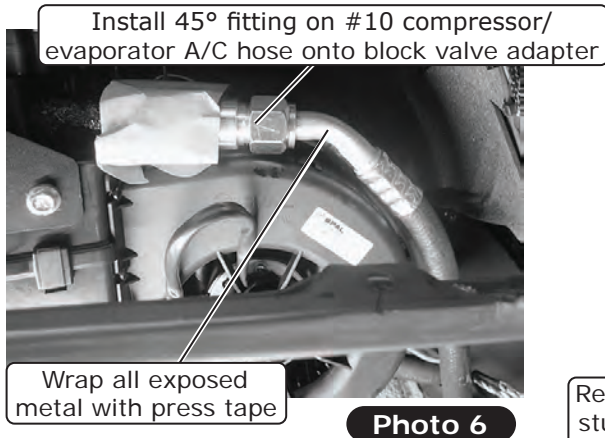
Photo 5



www.vintageair.com

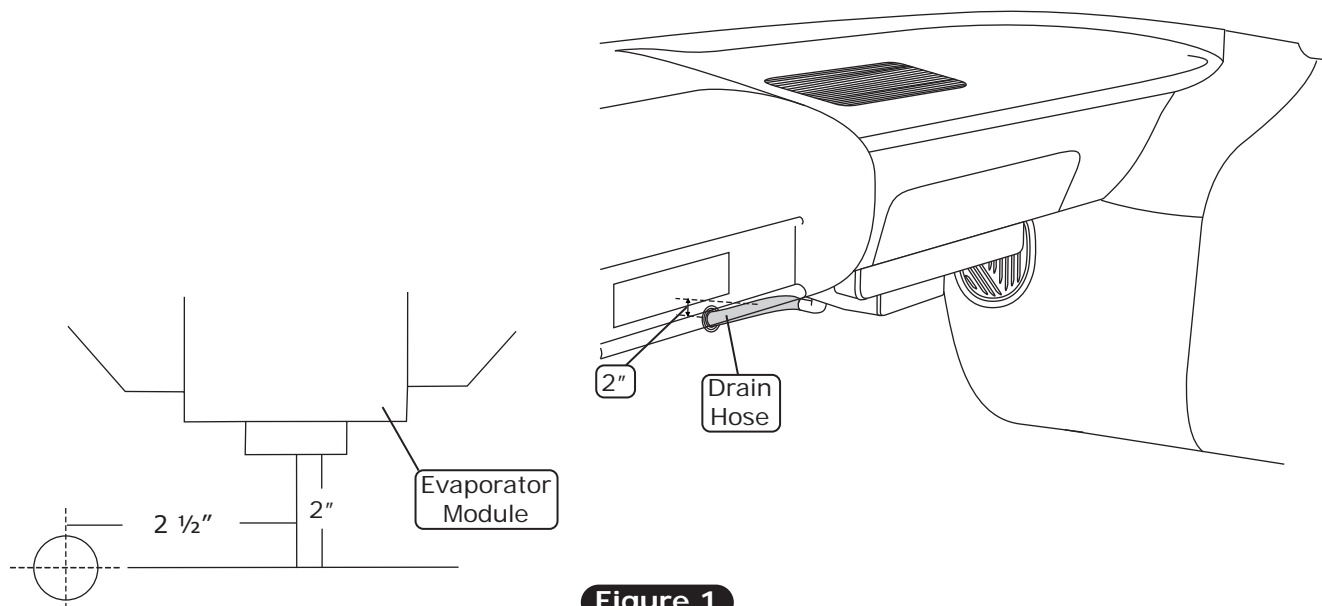
Evaporator Installation (Cont.)

- Using a properly lubricated #10 O-ring (See Lubricating O-rings, Page 12), install the 45° fitting on the #10 compressor/evaporator A/C hose onto the #10 fitting on the block valve adapter on the evaporator module (See Photo 6, below). **NOTE: After installing the #10 compressor/evaporator A/C hose, wrap all exposed metal with the supplied press tape.**
- From the engine compartment, install (3) 1/4-20 x 3/4" serrated flange black bolts replacing the (2) 1/4-20 full-threaded studs (See Photo 7, below). **NOTE: Silicone or seam sealer may be applied around the outer edge of the firewall cover.**



Drain Hose Installation

- Locate the evaporator drain on the bottom of the evaporator module.
- In line with the drain, lightly make a mark on the firewall. Measure 2" down and 2 1/2" to the left, then drill a 5/8" hole through the firewall (See Figure 1, below).
- Install the drain hose onto the outlet on the bottom of the evaporator module, then route it through the firewall (See Figure 1, below).





www.vintageair.com

Heater Hose & Heater Control Valve Installation

NOTE: Vintage Air systems use 5/8" heater connections. On engines equipped with 3/4" hose nipples, these will need to be removed and replaced with 5/8" nipples (not supplied). For water pumps with a cast-in 3/4" heater outlet, a 3/4" x 5/8" reducer fitting (not supplied) or molded hose will need to be installed in the heater hose.

1. Route the lower heater hose to the water pump fitting, then secure it using the supplied hose clamp (See Photo 1, below).
2. Cut the upper heater hose 4 to 5 inches from the fresh air cap and install the heater control valve into the upper heater hose. Secure the heater control valve using the supplied hose clamp (See Photo 2, below).

NOTE: Ensure proper flow direction through the heater control valve. The flow direction follows the molded arrow on the valve (See Figure 1, below).

Route lower heater hose to water pump fitting, then secure it using supplied hose clamp

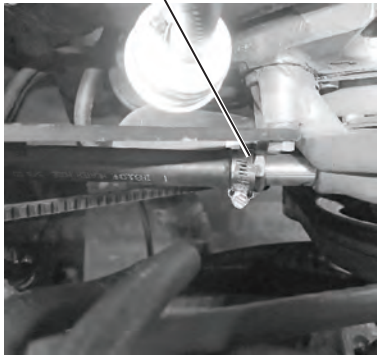


Photo 1

Install heater control valve into upper heater hose

Secure using supplied hose clamp

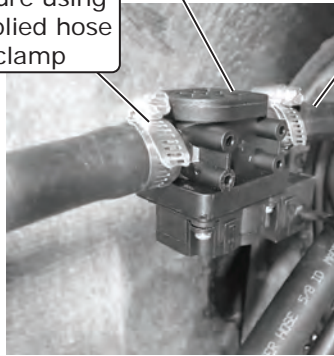


Photo 2

Cut heater hose 4" to 5" from fresh air cap

From Heater Control Valve to Heater Core

Heater Hose

NOTE: Flow Direction Follows Molded Arrow on Valve

Figure 1

From Intake Manifold

Inner Fender Installation

1. Route the A/C heater hoses and wiring through the open area of the fender well toward the battery area.
2. Reinstall the inner fender using OEM bolts



www.vintageair.com

A/C Hose Installation

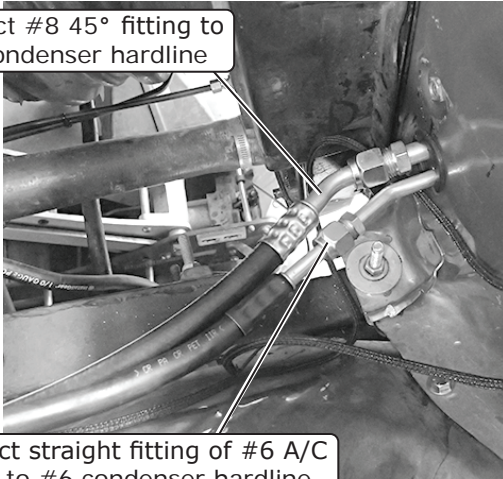
Standard Hose Kit:

1. With a properly lubricated #6 O-ring (See Lubricating O-rings, Page 12), connect the straight fitting of the #6 A/C hose to the #6 condenser hardline (See Photo 1, below).
2. With properly lubricated #8 O-ring (See Lubricating O-rings, Page 12), connect the #8 45° fitting to the #8 condenser hardline (See Photo 1, below).
3. With a properly lubricated #8 and #10 O-ring (See Lubricating O-rings, Page 12), connect the 135° fittings of the #8 and #10 A/C hoses to the suction and discharge ports of the compressor (See Photo 2, below).

Modified Hose Kit:

1. Refer to separate instructions included with modified hose kit.

Connect #8 45° fitting to #8 condenser hardline



Connect straight fitting of #6 A/C hose to #6 condenser hardline

Photo 1

Connect 135° fittings of #8 and #10 A/C hoses to suction and discharge ports of compressor

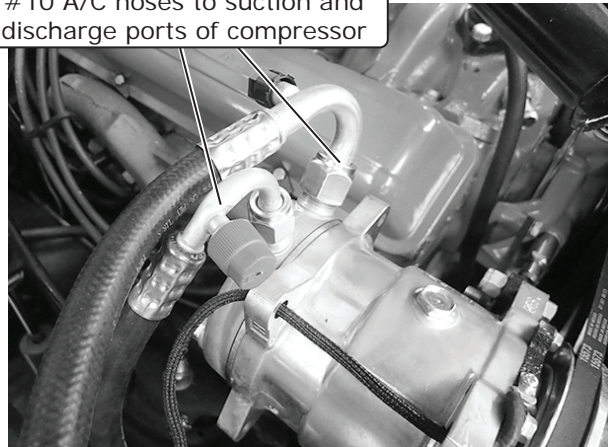


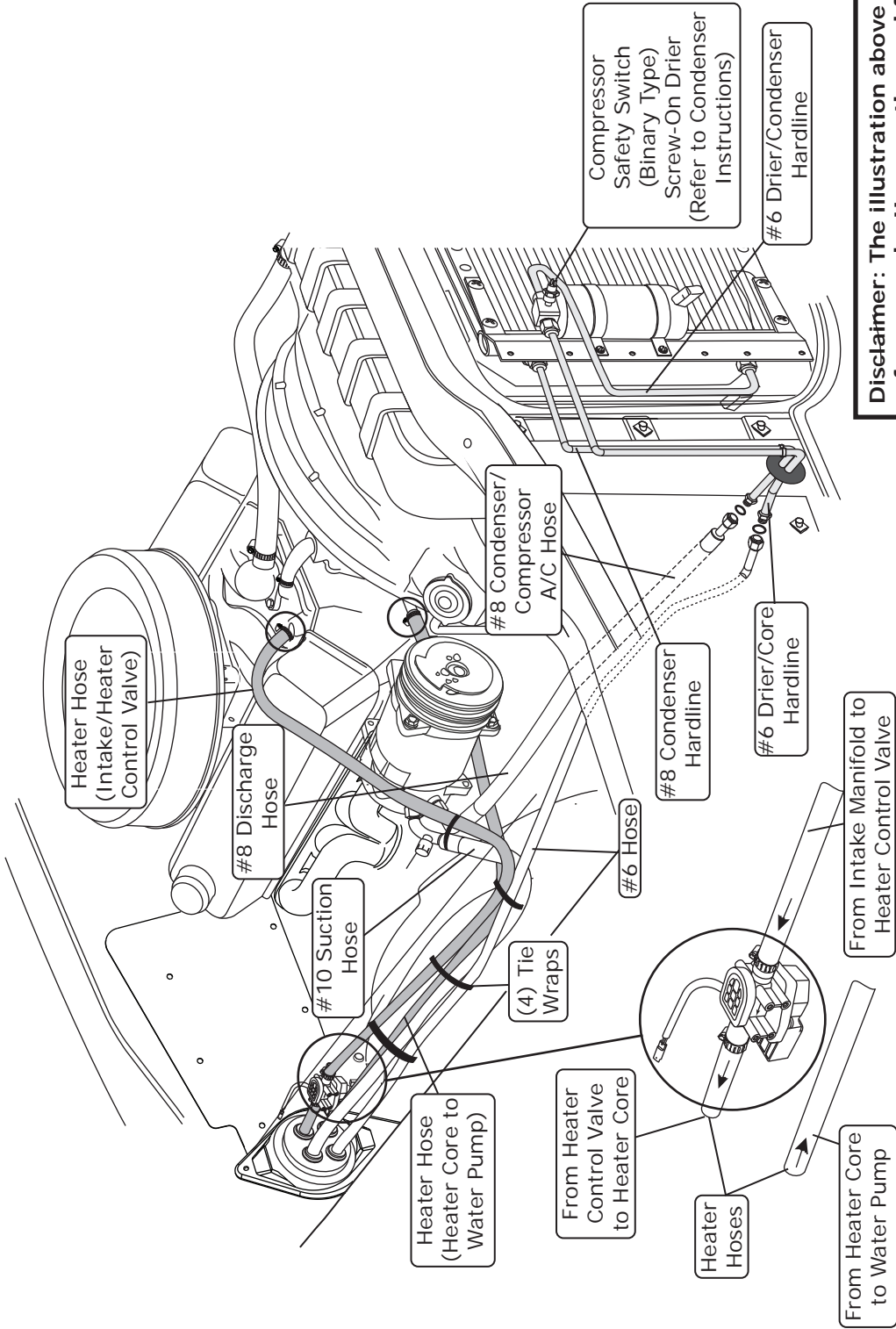
Photo 2



www.vintageair.com

A/C and Heater Hose Routing

NOTE: Vintage Air Systems use 5/8" heater connections. On engines equipped with 3/4" hose nipples, these will need to be removed and replaced with 5/8" nipples (not supplied). For water pumps with a cast-in 3/4" heater outlet, a 3/4" x 5/8" reducer fitting (not supplied) will need to be installed in the heater hose.



Disclaimer: The illustration above is for reference only. Hose routing and fittings may differ depending on install and/or engine configuration.

NOTE: Flow Direction Follows Molded Arrow on Valve.



www.vintageair.com

Passenger Compartment Wiring

1. Select a suitable ground location for the white ground wire eyelet from the heater control valve harness and secure it using a #10 x 1/2" sheet metal screw.
2. Route the violet power wire to a switched 12v power source on the fuse panel (See Photo 1, below).
NOTE: This requires a male fuse extension (not supplied).
3. Connect the tan wire to the factory dash lights to enable control panel backlighting (if applicable).
4. Connect the main harness to the ECU (See Photo 2, below).
5. Connect the blower speed controller plug into the main wiring harness plug (orange and green wires) (See Photo 3, below).
6. Select a suitable mounting location for the main relay.

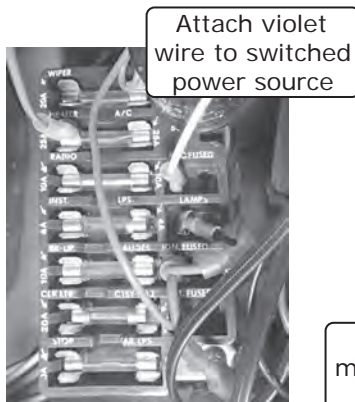


Photo 1

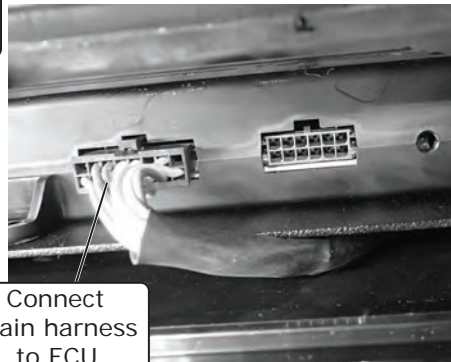


Photo 2

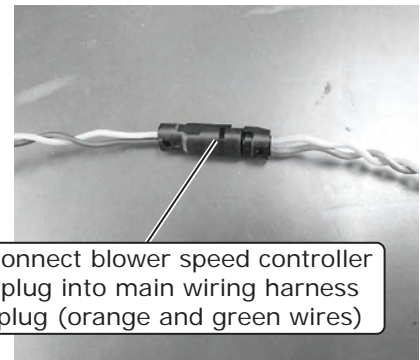


Photo 3

Driver-Side Under Dash Louver Installation

1. Align the louver bezel under the dash, then use the bezel as a guide to mark and drill (2) 3/16" holes.
2. Secure the louver bezel under the dash using (2) 10-32 x 1/2" pan head screws and (2) 10-32 nuts with star washers (See Figure 1, below).
3. Install the louver into the bezel as shown in Figure 1a, below.

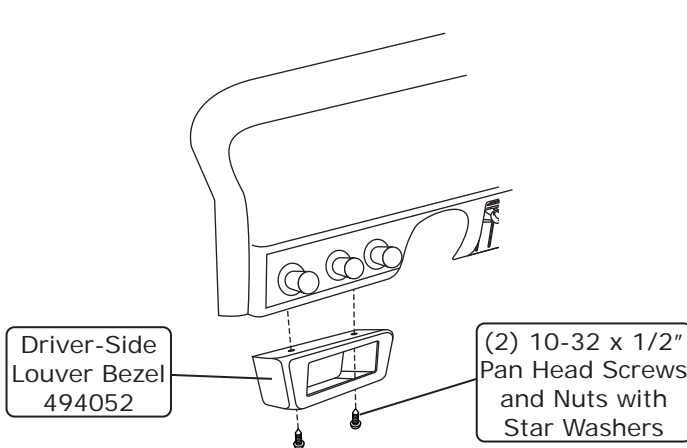


Figure 1

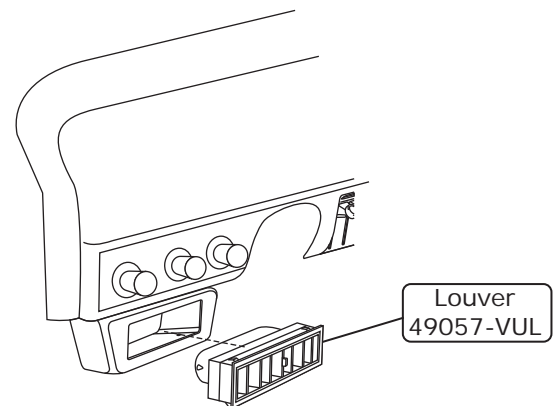


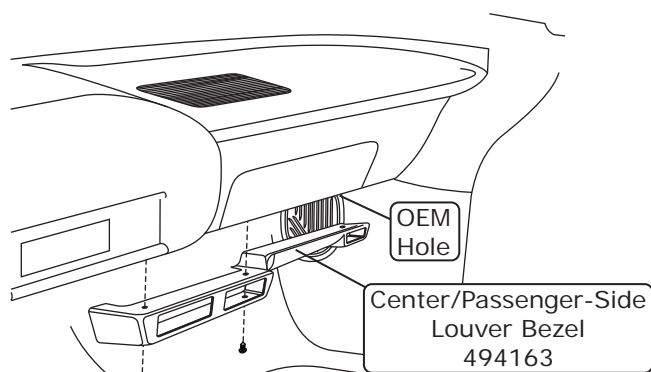
Figure 1a



www.vintageair.com

Center/Passenger-Side Under Dash Louver Installation

1. Place the louver bezel under the dash and align it with the OEM hole on the passenger side (See Figure 1, below).
2. Using the bezel as a guide, mark and drill (2) 3/16" holes under the dash.
3. Secure the louver bezel under the dash using (3) 10-32 x 1/2" pan head screws and (3) 10-32 nuts with star washers (See Figure 1, below).
4. Install the louvers into the bezel as shown in Figure 1a, below.



(3) 10-32 x 1/2" Pan Head Screws and Nuts with Star Washers

Figure 1

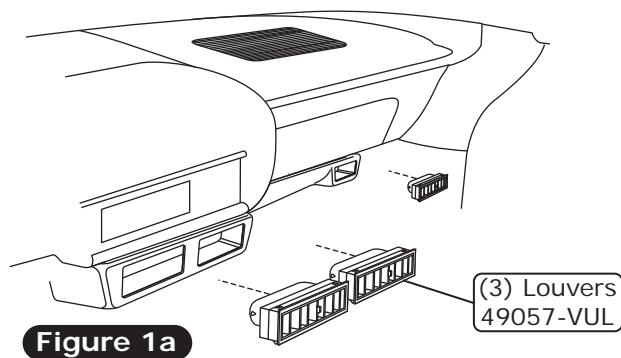
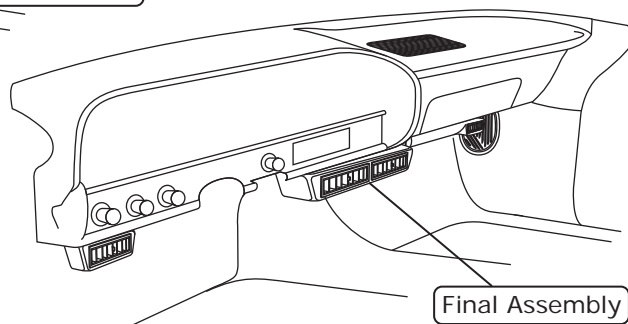


Figure 1a

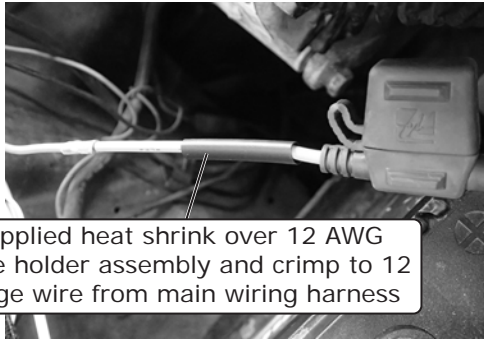




www.vintageair.com

Engine Compartment Wiring

1. Route the power and ground wires toward the battery.
 2. Install the supplied heat shrink over the 12 AWG orange fuse holder assembly wire, and crimp it to the 12 AWG orange wire from the main wiring harness (See Photo 1, below and Quality Crimp Guidelines, Page 27).
 3. Install the supplied heat shrink over the 16 AWG black fuse holder assembly wire, and crimp it to the 16 AWG red wire from the main wiring harness (See Photo 2, below and Quality Crimp Guidelines, Page 27).
 4. Install fuses into the holders (See Photo 3, below).
 5. Install the supplied heat shrink over the white ground wires, then crimp on the supplied eyelets (See Photos 4 and 5, below and Quality Crimp Guidelines, Page 27)
 6. Connect the ground wiring eyelets to the negative battery terminal connector (See Photo 6, below).
 7. Connect the positive wiring eyelets to the positive battery terminal connector (See Photo 7, below).
- NOTE: Do not connect power until installation is completed.**



Install supplied heat shrink over 12 AWG orange fuse holder assembly and crimp to 12 AWG orange wire from main wiring harness

Photo 1

Install supplied heat shrink over 16 AWG black fuse holder assembly wire and crimp to 16 AWG red wire from main wiring harness

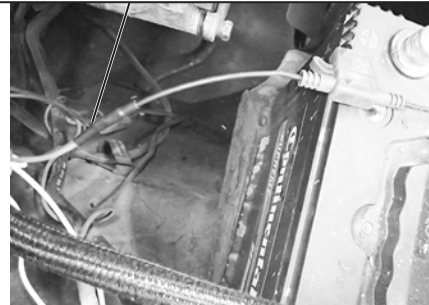


Photo 2

Install fuses into holders



Photo 3

Install supplied heat shrink over white ground wires and crimp on supplied eyelets



Photo 4

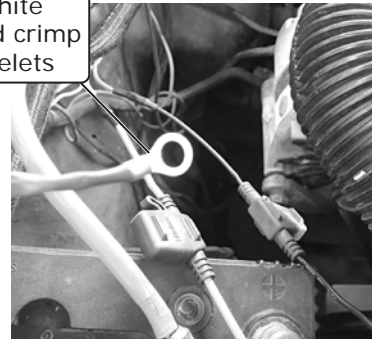


Photo 5

Connect ground wiring eyelets to negative battery terminal connector

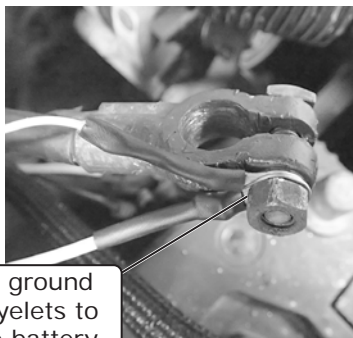


Photo 6

NOTE: Do not connect power until installation is completed.

Connect positive wiring eyelets to positive battery terminal connector

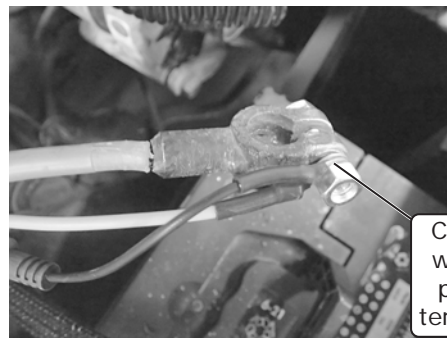


Photo 7



www.vintageair.com

Final Steps: Installation Check

Installation Check	
ITEM TO CHECK	Procedure
<input type="checkbox"/>	<p>ECU</p> <p>If no blinking is observed after 1 minute of turning the ignition on, go to the next check.</p> <p>If repetitive blinking is observed, go to the Advanced Diagnostics Section to diagnose.</p>
<input type="checkbox"/>	<p>Blower speed control</p> <p>Set the blower speed control to OFF, <u>confirm that the blower is off</u>.</p> <p>Position the blower speed control to LOW then MEDIUM and then HIGH. <u>At each setting confirm that the blower speed increases</u>, do this by feeling for the amount of air coming from the unit and hearing the blower speed increase.</p>
<input type="checkbox"/>	<p>Mode control</p> <p>Set the MODE control to the DASH position. <u>Confirm that air is being blown at the dash vents</u>.</p> <p>Set the MODE control to the FLOOR position. <u>Confirm that air is being blown at the floor vents</u>.</p> <p>Set the MODE control to the DEFROST position. <u>Confirm that all air is being blown from the defrost vents</u></p> <p>If heater lines are installed:</p> <p>Set the MODE control to the DASH position. Set the TEMP control to the MAX HEAT position. <u>Confirm that HOT air is coming from the dash vents</u>.</p>
<input type="checkbox"/>	<p>Temperature control</p> <p>If system is charged:</p> <p>Set the TEMP control to the MAX COOL position. <u>Confirm that COLD air is coming from the dash vents</u>.</p> <p>Also <u>confirm that the compressor "clicks" on</u> when adjusting the TEMP control from the MAX HEAT position to the MAX COOL position.</p>
<input type="checkbox"/>	<p>AC Indicator (If applicable)</p> <p>While the MODE control is set to the DASH position, and the TEMP control is set to the MAX COOL/MIN HEAT position, <u>confirm that the blue AC Indicator light is on</u>.</p>
<input type="checkbox"/>	<p>Backlight (If applicable)</p> <p>If your control panel has backlight capabilities and has been wired, turn the dash lamp on and <u>confirm that the AC panel's legend is lit</u>.</p>
<input type="checkbox"/>	<p>Fittings</p> <p>Verify AC and Heater fittings are all tight.</p>



www.vintageair.com

Final Steps: Completing the Install

1. Install the duct hoses as shown in Duct Hose Routing, Page 26.
2. Install the control panel assembly. Refer to the control panel instructions.
3. Refer to the instructions below to install the glove box.
4. Reinstall all previously removed items.
5. Fill radiator with at least a 50/50 mixture of approved antifreeze and distilled water. It is the owner's responsibility to keep the freeze protection at the proper level for the climate in which the vehicle is operated. Failure to follow antifreeze recommendations will cause heater core to corrode prematurely and possibly burst in A/C mode and/or freezing weather, voiding your warranty.
6. Double check all fittings, brackets and belts for tightness.
7. Vintage Air recommends that all A/C systems be serviced by a licensed automotive A/C technician.
8. Evacuate the system for a minimum of 45 minutes prior to charging, and perform a leak check prior to servicing.
9. Charge the system to the capacities stated on Page 4 of this instruction manual.
10. See Operation of Controls procedures on Page 30.

Glove Box Installation

1. Insert the bottom half of the new glove box into the glove box opening, and position it into place (See Figure 1, below).
2. Attach the top half of the glove box to the bottom half using (4) #6 x 3/8" pan head screws (See Figure 1, below).
3. Reinstall the glove box door using (3) OEM screws through the Tinnerman nuts (See Figure 1a, below).
4. Secure the glove box using (2) OEM screws (See Figure 1a, below).

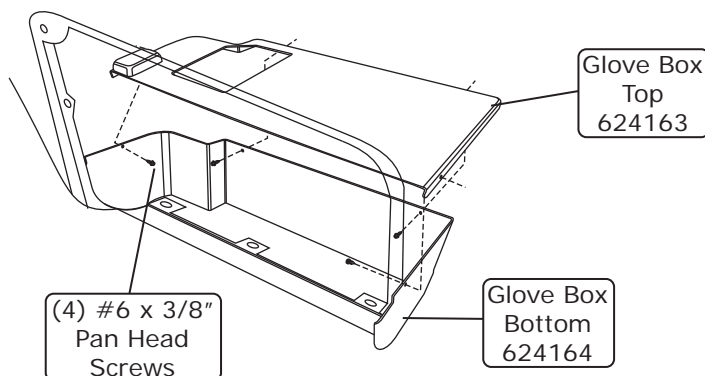


Figure 1

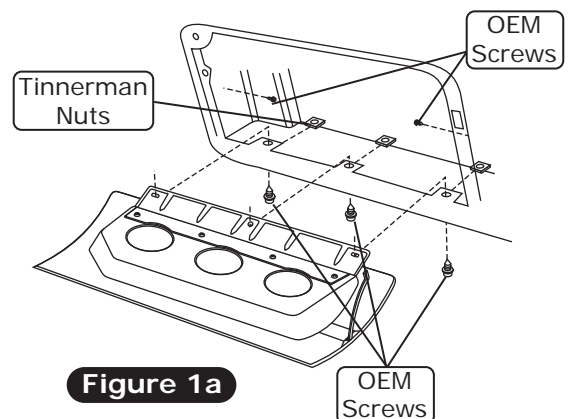


Figure 1a



www.vintageair.com

Duct Hose Routing

NOTE: For the system to function optimally, the duct hoses must be routed as directly as possible, taking care to avoid kinks, sharp bends and unnecessary length. Vintage Air supplies duct hoses in continuous lengths that will need to be cut to size depending on application. Before cutting, familiarize yourself with the installation instructions and verify the routing will work with your application. For custom hose routing, additional hose may be needed and can be purchased from Vintage Air.

1. Stretch the duct hose until there is no slack, measure, mark and cut hose to size (See Photo 1, below).

Stretch, measure, mark and cut hose to size



Photo 1

Disclaimer: Before cutting duct hose to length, verify the routing will work for your application.

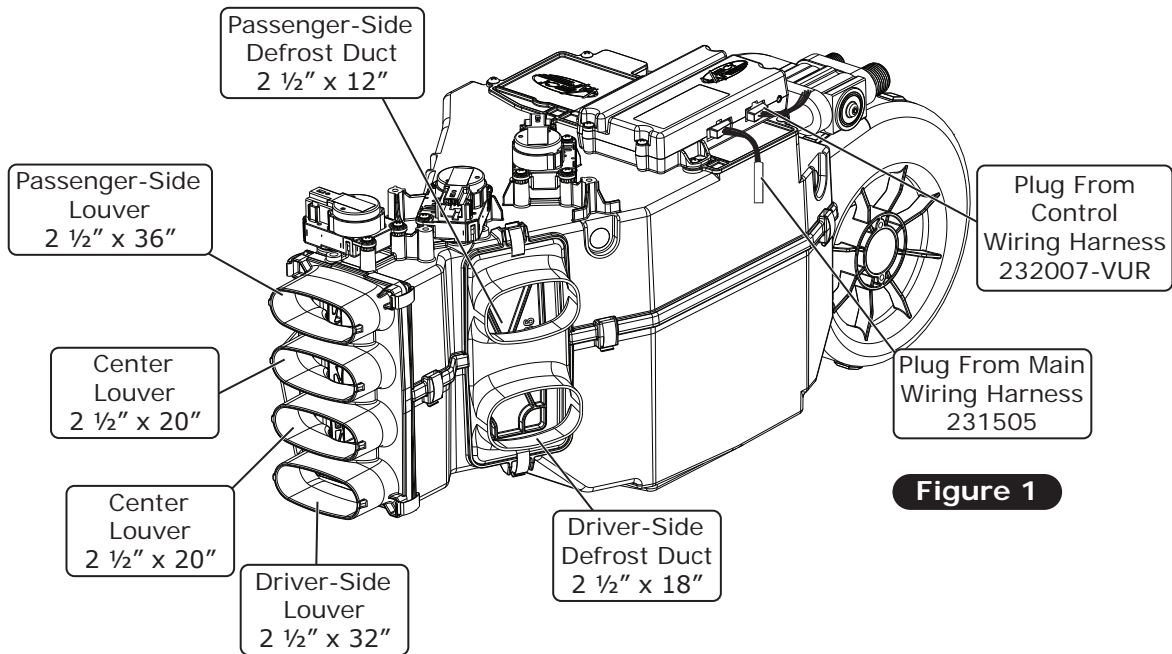


Figure 1

NOTE: Route wires so they are lower than plugs.



Route wires lower than plugs

NOTE: ECU must be placed away from water and humidity, and also be accessible for servicing. If relocating, connectors must be positioned towards the bottom.



Position connectors towards bottom



www.vintageair.com

Quality Crimp Guideline

Acceptable strip length
(Some copper visible)

Crimped area is centered
on each side of splice

Bad strip length
(Too much copper visible)
Visible copper should be
just enough to ensure
clearance between splice
area and wire insulation

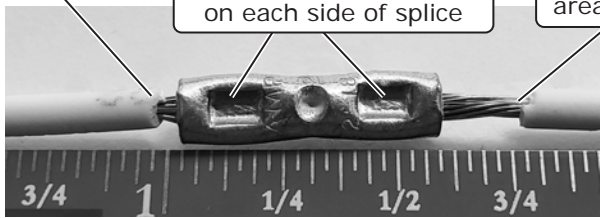


Photo 1

A good crimp requires
seam of butt splice to be
opposite of crimp die tooth

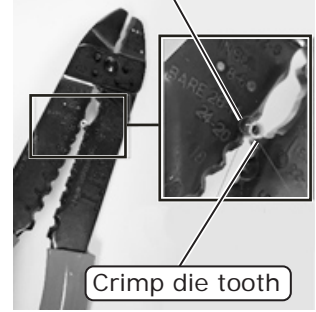
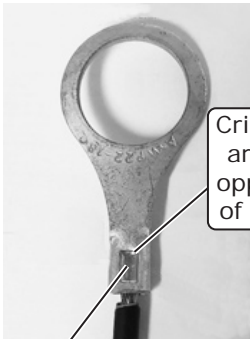


Photo 2

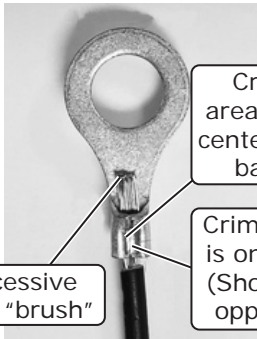
Good Ring Terminal Crimp Bad Ring Terminal Crimp



Crimped
area is
opposite
of seam

Photo 3

Crimp
area is
centered
on barrel



Crimp
area is not
centered on
barrel

Excessive
wire "brush"

Crimp area
is on seam
(Should be
opposite)

Photo 4



Photo 5

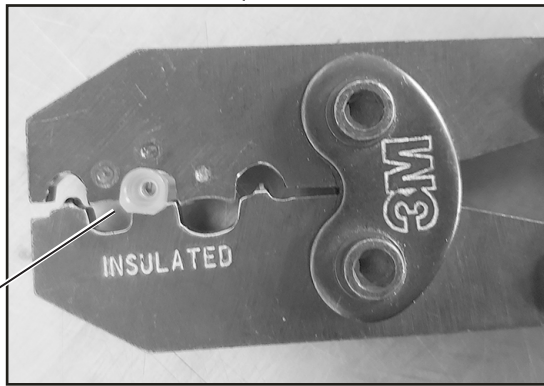


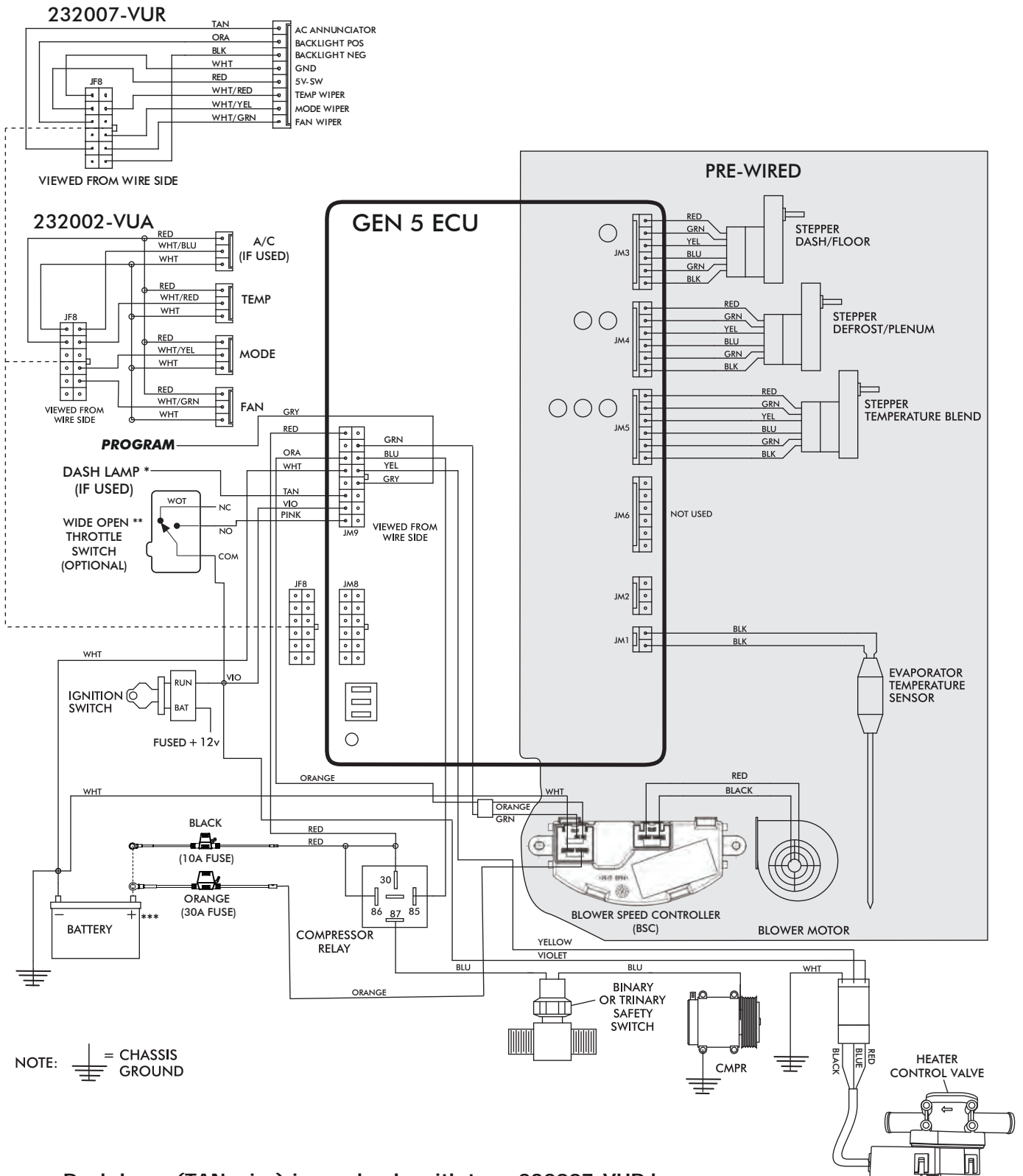
Photo 5a

Use a ratcheting crimp tool
for insulated barrel terminals
when crimping the provided
female insulated terminal.
Ensure terminal is inserted in
appropriate position before
crimping.



www.vintageair.com

Gen 5 Wiring Diagram



* Dash lamp (TAN wire) is used only with type 232007-VUR harness.

** Wide open throttle switch contacts close only at full throttle, which disables A/C compressor.

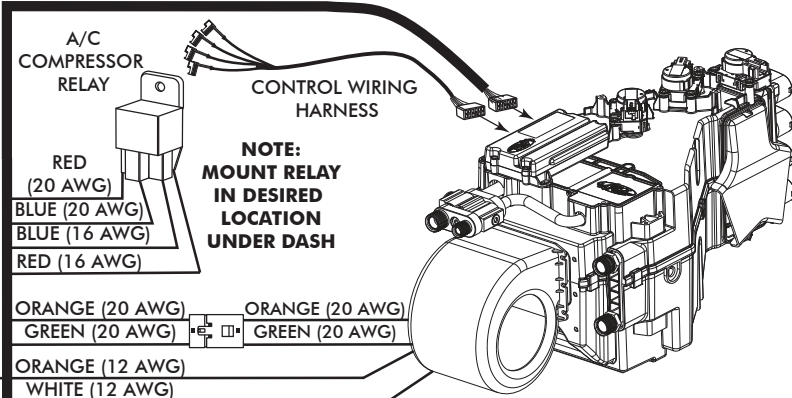
*** Install fuse assemblies at or as near to the battery as possible.



www.vintageair.com

Gen 5 Wiring Instructions

WIRING HARNESS (231505) ↓



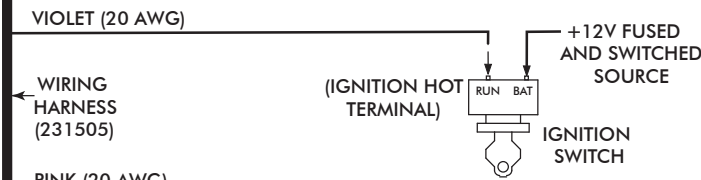
NOTE:
MOUNT RELAY
IN DESIRED
LOCATION
UNDER DASH

Ignition Switch:

Using provided butt splice (PN 226004), connect the 20 AWG violet wire to a 5A fused and switched 12V source such as Key On.

Wide Open Throttle Switch (Optional):

If a wide open throttle switch is required, connect the 20 AWG pink wire to a normally open switch that, when closed, connects a fused and switched 12V source to the pink wire. See Gen 5 wiring diagram for an example.



Dash Light (Optional):

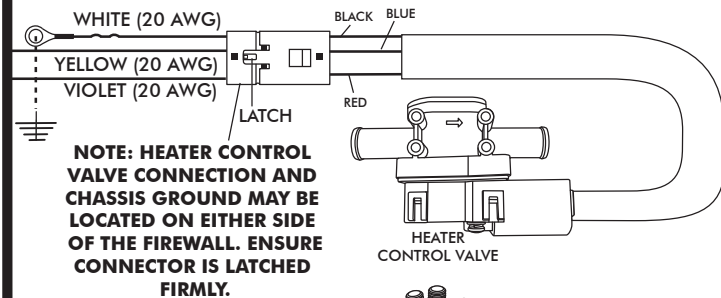
If using a Vintage Air control panel with back light, connect the 20 AWG tan wire to the vehicle's dash back light 0-12V using provided butt splice (PN 226004).

WIRING HARNESS (232020)

FIREWALL

IF APPLICABLE

FIREWALL



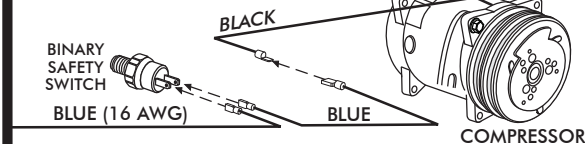
NOTE: HEATER CONTROL VALVE CONNECTION AND CHASSIS GROUND MAY BE LOCATED ON EITHER SIDE OF THE FIREWALL. ENSURE CONNECTOR IS LATCHED FIRMLY.

Heater Control Valve:

Connect the Violet/Yellow/White twisted branch with 3 position connector into the heater control valve connector. Ensure that the mating latch is fully seated.

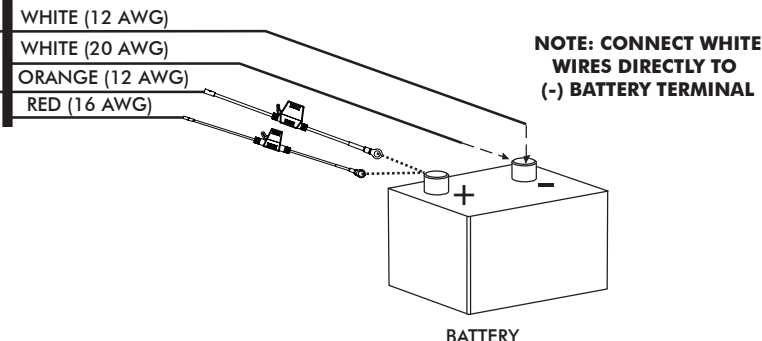
Binary/Trinary & Compressor:

Binary Switch: Terminate provided insulated female terminal (PN 23172-VUW) to the blue 16 AWG wire. Connect as shown.
Trinary Switch: Connect according to trinary switch wiring diagram.



Battery Connections:

ECU Ground: Terminate provided ring terminal (PN 226110) to 20 AWG white wire from the 231505 wire assembly and install at battery.
ECU PWR: Terminate provided fuse assembly with black leads (PN 233012) to the 16 AWG red wire from the 231505 wire assembly. Install provided 10A Red Mini Fuse (PN 226118). Install at battery.
Blower Speed Controller (BSC) Ground: Terminate provided ring terminal (PN 226111) to 12 AWG white wire from the 232020 wire assembly and install at battery.
Blower Speed Controller (BSC) PWR: Terminate provided fuse assembly with orange leads (PN 233008) to the 12 AWG orange wire from the 232020 wire assembly. Install provided 30A Green ATO/ATC Fuse (PN 226125). Install at battery.



NOTE: CONNECT WHITE WIRES DIRECTLY TO (-) BATTERY TERMINAL



www.vintageair.com

Operation of Controls

On Gen IV or Gen 5 systems with three lever/knob controls, the temperature control toggles between heat and A/C operations. To activate A/C, move the temperature lever/knob all the way to cold and then back it off to the desired vent temperature. For heat operation, move the temperature lever/knob all the way to hot and then adjust to the desired vent temperature. The blower will momentarily change speed, each time you toggle in and out of heat and A/C operations, to indicate the change. **NOTE: For proper control panel function, refer to control panel instructions for calibration procedure.**

Blower Speed

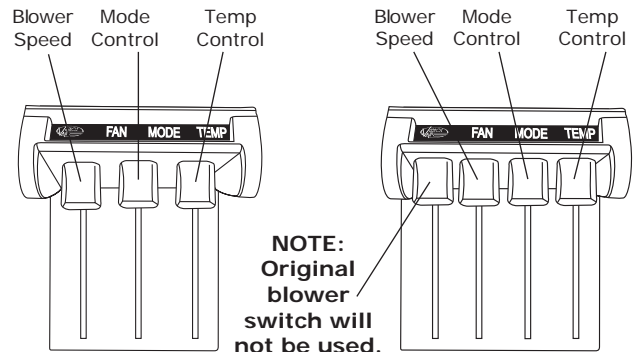
This lever/knob controls blower speed, from OFF to HI.

Mode Control

This lever/knob controls the mode positions, from DASH to FLOOR to DEFROST, with a blend in between.

Temperature Control

This lever/knob controls the temperature, from HOT to COLD.



A/C Operation

Blower Speed

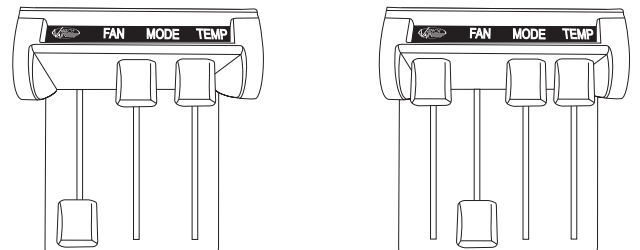
Adjust to desired speed.

Mode Control

Adjust to desired mode position (DASH position recommended).

Temperature Control

For A/C operation, adjust to coldest position to engage compressor (adjust between HOT and COLD to reach desired temperature).



Heat Operation

Blower Speed

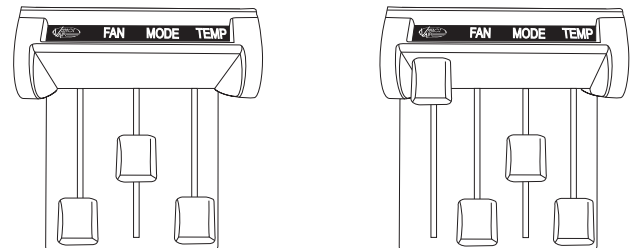
Adjust to desired speed.

Mode Control

Adjust to desired mode position (FLOOR position recommended).

Temperature Control

For maximum heating, adjust to hottest position (adjust between HOT and COLD to reach desired temperature).



Defrost/De-fog Operation

Blower Speed

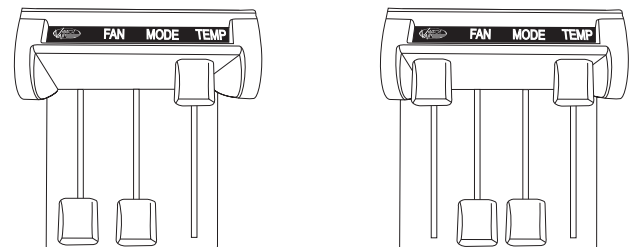
Adjust to desired speed.

Temperature Control

Adjust to desired temperature.

Mode Control

Adjust to DEFROST position for maximum defrost, or between FLOOR and DEFROST positions for a bi-level blend (Compressor is automatically engaged).





www.vintageair.com

Troubleshooting Guide

This printed troubleshooting guide is our basic guide that covers common installation problems. To see our advanced diagnostics and troubleshooting guide, please refer to the following page for instructions on how to download the complete guide.

WARNING: While troubleshooting the system, never probe connector terminals from the front mating side, only back probe.

WARNING: While troubleshooting the system, never use automotive check lights.

Symptom	Condition	Checks	Actions	Notes
1. Blower stays on high speed with ignition on.	No other functions work.	Check for damaged pins or wires in the control panel wire assembly and mating header at ECU.	If found damaged, replace wire assembly or ECU.	If fuse continues to blow, there is a serious problem in the wiring. Check all wiring and ensure the wire is not damaged and shorting out along its route.
	All other functions work.	Check for a bad ECU GND. Check for damaged pins or wires in the control panel wire assembly and mating header at ECU. Check if Blower power fuse is blown. Check for a bad ECU GND.	If found damaged, replace wire assembly or ECU. Replace fuse. Repair connection.	
2. Compressor will not turn on (All other functions work).	System is not charged.	System must be charged for compressor to engage.	Charge system.	Danger: Never bypass safety switch with engine running. Serious injury can result.
	System is charged.	Check for faulty A/C potentiometer or associated wiring (not applicable to 3-pot controls).	Check continuity to ground on white control head wire. Check for 5V on red control head wire.	To check for proper pot function, check voltage at white/red wire. Voltage should be between 0V and 5V, and will vary with pot lever position.
		Check for disconnected or faulty thermistor.	Check 2-pin connector at ECU housing.	Disconnected or faulty thermistor will cause compressor to be disabled.
3. Compressor will not turn off (All other functions work).	Compressor will not turn off (All other functions work).	Check for faulty A/C potentiometer or associated wiring.	Repair or replace pot/control wiring.	Red wire at A/C pot should have approximately 5V with ignition on. White wire will have continuity to chassis ground. White/Red wire should vary between 0V and 5V when lever is moved up or down.
		Check for faulty A/C relay.	Replace relay.	



www.vintageair.com

Troubleshooting Guide (Cont.)

Symptom	Condition	Checks	Actions	Notes
4. System will not turn on, or runs intermittently.	Works when engine is not running; shuts off when engine is started	Noise interference from either ignition or alternator.	Install capacitors on ignition coil and alternator. Ensure good ground at all points. Relocate coil and associated wiring away from ECU and ECU wiring. Check for burned or loose plug wires.	Ignition noise (radiated or conducted) will cause the system to shut down due to high voltage spikes. If this is suspected, check with a quality oscilloscope. Spikes greater than 16V will shut down the ECU. Install a radio capacitor at the positive post of the ignition coil (see radio capacitor installation bulletin). A faulty alternator or worn out battery can also result in this condition.
	Will not turn on under any conditions.	Verify connections on power lead, ignition lead, and both white ground wires. Verify battery voltage is greater than 10 volts and less than 16 while engine is running.	Check for power at ECU, and confirm ignition is being applied to ECU properly. Verify proper meter function by checking the condition of a known good battery.	
5. Loss of mode door function.	No mode change at all.	Check for damaged mode switch or potentiometer and associated wiring.		
	Blower turns on and off rapidly.	Battery voltage is at least 12V. Battery voltage is less than 12V.	Ensure all system grounds and power connections are clean and tight. Charge battery.	System shuts off blower at 10V. Poor connections or weak battery can cause shutdown at up to 11V.
7. Erratic functions of blower, mode, temp, etc.		Check for damaged switch or pot and associated wiring.	Repair or replace.	

Advanced Diagnostics and Troubleshooting Guide

If after referencing the Troubleshooting Guide, the issue is not resolved, move to The Advanced Diagnostics and Troubleshooting Guide that covers the following:

- ECU Diagnostics Codes
- 1. ECU Blink Sequence
- 2. Firmware Version Number
- 3. ECU Model Number
- 4. ECU Start-Up Blink Sequence
- 5. Diagnostic Codes
- Complete Advanced Troubleshooting Guidelines

Access the latest version of the Advanced Diagnostics and Troubleshooting Guide by scanning the following QR code on your mobile device:



You can also access the guide by typing the following address into your web browser:

https://www.vintageair.com/instructions_pdf/905000.pdf



www.vintageair.com

Packing List: Evaporator Kit (561356)

No.	Qty.	Part No.	Description
1.	1	765200	Gen 5 Magnum Max Module with 404 ECU
2.	1	781356	Accessory Kit

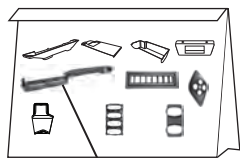
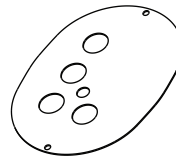
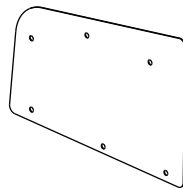
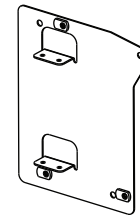
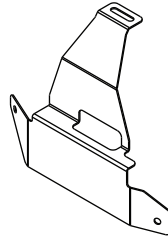
Checked By: _____
Packed By: _____
Date: _____

1

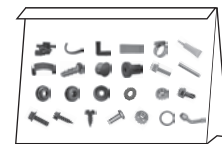
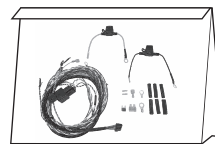
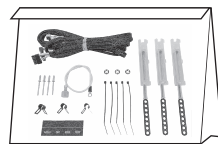


Gen 5 Magnum Max
Module with 404 ECU
765200

2



494163



Accessory Kit
781356

**NOTE: Images may not depict actual parts and quantities.
Refer to packing list for actual parts and quantities.**